

ZOOMLION

ELECTRIC ROUGH TERRAIN SCISSOR LIFT

ZS2023ERT

Comply with CE/ANSI/Standard

HIGHLIGHTS

High Performance

- ▶ Full height drive, high working efficiency
- ▶ Heavy capacity, extra-large platform, large work range
- ▶ 4WD and 4WS, strong off-road ability
- ▶ Click-to-level, easy to operate
- ▶ AC motor drive for higher efficiency

Cost Effectiveness

- ▶ Maintenance-free AC motor
- ▶ Long lifespan Li-battery, maintenance-free

Intelligent Connectivity

- ▶ Remote monitoring and rental system, easy to acquire machine info, effective to run fleet
- ▶ High accuracy weighing system, safe and reliable
- ▶ Lift height display to show real-time lifting height

FEATURES

Standard Features

Proportional controls	Autobrake system
All motion alarm	Emergency descent system
Fold-down handrails	Emergency stop button
Flashing beacon	On-board diagnostic
Self-closing entry gate	Over tilt protective system
Horn	AC power to platform
Load sensing system	Full height drive
4WD-4WS	Automatic extension platform
Electric emergency pump	

Accessories & Options

- ▶ Platform work lights
- ▶ Airline to platform



ACCESS WITH ZOOMLION GREEN



PT SOLUSI INDO PERDANA
BE PRODUCTIVE, BE SOLUTIVE FOR MATERIAL HANDLING

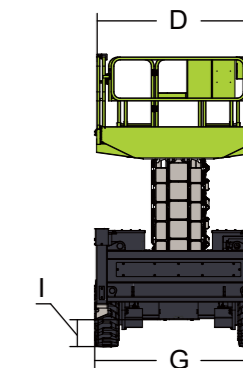
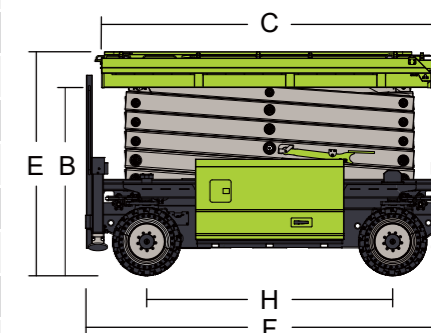
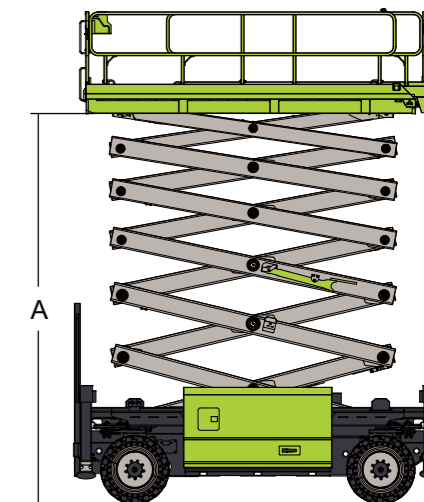
Head Office :
Ruko Persona Gintung Residence, Blok AA No. 06, Cempaka Putih, Ciputat Timur, Tangerang 15412
Branch Office :
Jl. Sultan Hasanudin KM.41 No. 2 Blok E24, Tambun, Kec. Tambun Selatan, Kab. Bekasi - 17410
Email :
sales@salatberatsip.co.id
Hotline Service :
(021) 7433477 / 087720101020

ZOOMLION



PT SOLUSI INDO PERDANA
BE PRODUCTIVE, BE SOLUTIVE FOR MATERIAL HANDLING

Model	ZS2023ERT	
	Imperial	Metric
Size		
Work Height	72ft 2in	22m
A - Platform Height-Elevated	65ft 7in	20m
B - Platform Height-Stowed	9ft 2in	2.8m
C - Platform Length	15ft	4.56m
D - Platform Width	7ft 3in	2.2m
Platform Extension	8ft 10in	2.7m
Overall Height (Rails Up)	12ft 10in	3.91m
E - Overall Height (Rails Down)	9ft 10in	3.0m
F - Overall Length	16ft 3in	4.95m
G - Overall Width	7ft 4in	2.25m
H - Wheelbase	10ft 10in	3.3m
I - Ground Clearance	1ft 4in	0.4m
Performance		
Platform Capacity	1653lb	750kg
Capacity on Deck Extension	1653lb	750kg
Drive Height	full height	
Max. Number of Workers	4	
Drive Speed (Stowed)	3.1mph	5km/h
Drive Speed (Raised)	0.25mph	0.4km/h
Turning Radius (Inside)	4ft 3in	1.3m
Turning Radius (Outside)	11ft 2in	3.4m
Lifting Motor	21kw	
Drive Motor	4×3.3KW	
Up/Down Time	90/75s	
Gradeability	30%	
Max. Working Slope (Lateral/Vertical)	3°/3°	
Control	Proportional Control	
Drive	4 Wheels	
Brake	4 Wheels	
Tire	φ36in×14in	φ914mm×355mm
Power		
Battery	80V/460Ah	
Charger	80V/80A	
Weight		
Gross	31967lb	14500kg



ZOOMLION ACCESS reserves the right to make specification and/or equipment changes without prior notification. Product specifications are updated to May, 2025.