



XH SERIES

HIGH-VOLTAGE LITHIUM BATTERY FORKLIFT

With capacity of 20,000 to 25,000kg



PT SOLUSI INDO PERDANA
BE PRODUCTIVE, BE SOLUTIVE FOR MATERIAL HANDLING

Head Office :
Ruko Pesona Gintung Residence, Blok AA No. 06, Cempaka Putih, Ciputat Timur, Tangsel 15412
Branch Office :
Jl. Sultan Hasanudin KM.41 No. 2 Blok E24, Tambun, Kec. Tambun Selatan, Kab. Bekasi - 17510
Email :
sales@alatberatsip.co.id
Hotline Service :
(021) 7433477 / 087720101020

BECOME THE FORKLIFT MEETING YOUR DIFFERENT NEEDS.

VOLTAGE

541 V

CHARGING TIME (20-100%)

1.0 Hour

VEHICLE WATER RESISTANCE

IPX4

TRAVEL SPEED

25km/h

SPEED MODELS

3 S/P/E mode
(Super/Power/Eco)

PROTECTION RATE

IP67



XH SERIES HIGH-VOLTAGE LITHIUM BATTERY FORKLIFT

Your reliable, powerful and connected working machine.

XH series high-voltage counterweight lithium battery forklifts are new series of high-voltage counterweight lithium battery forklifts independently developed by Hangcha relying on the new energy automobile voltage platform for the first time based on the deep understanding of electric forklifts and internal combustion forklifts for decades by breaking through the traditional design concept.

The series of models redefine electric forklifts in terms of efficiency, power and reliability, surpassing the electric forklifts with internal combustion in all aspects.



FASTER EFFICIENCY

Through disruptive battery and fast charging technology, the charging time is greatly shortened.

Fast charging makes it possible for the whole vehicle to work continuously, shortening the waiting time and greatly improving efficiency.

**LI-ION
TECHNOLOGY**

**6 YEARS
WARRANTY**

HANGCHA provides Li-ion battery (LiFePO4) with 6 years or 12000 hours warranty.

HIGH-VOLTAGE

247kWh

Battery capacity

THE *Plus*
FOR YOUR
BUSINESS

REVOLUTIONARY PERFORMANCE.



Cab

- Fully enclosed integral cab The cab adopts connection with four-point shock-absorbing rubber to reduce vibration, and is equipped with electric and manual tipping mechanisms to facilitate routine maintenance.
- The large cab floor and ample overhead and leg space enable the driver to enter and leave the cab easily at any time.
- The fully enclosed cab is heatproof, dust-proof and waterproof.
- There are sunshades in the cab and a filter at the fresh air inlet, and the internal circulation fan is adjustable.
- The air conditioner and heater can keep the cab at a comfortable temperature.
- The seat can be adjusted forwards and backwards and the angle of the backrest is adjustable, to make the driver more comfortable.
- The front, rear and top windshields are equipped with cleaners and wipers and the front and rear windshields are equipped with defrosters.
- All glass is safety glass.



Driving System

A maintenance-free high-pressure water-cooled permanent magnet synchronous drive motor is used, which has high power, high efficiency, complete protection functions, motor, greatly improved reliability and service life, and reduced maintenance costs. The two-stage decelerating heavy-duty drive axle of an internationally renowned brand (Kessler), with a multi-disc wet driving brake and a motor to aid the braking, is safe and reliable. The system is fully enclosed and maintenance-free and is applicable to heavy-duty operating conditions.



Hydraulic system

An electric proportional multiway valve of an internationally renowned brand, a silent gear pump, a pilot control joystick and a high-pressure water-cooled permanent magnet synchronous oil pump motor are used. The load sensing hydraulic system can reduce the continuous load of the oil pump motor. The remote electrically-controlled operating mode is simple, convenient and dexterous. Multiple hydraulic test points are added to simplify repair and maintenance work. (The hydraulic system power source uses a Casappa gear pump, a Danfoss PVG multiway valve and a Danfoss hydraulic steering gear)



Steering system

With a load sensing function, the single steering axle with horizontally-placed double acting cylinders enables fully hydraulic prioritized steering to be carried out easily.



Electrical System

An advanced permanent magnet synchronous motor drive controller and vehicle controller are used to realize electronic control of the driving, lifting, braking and steering actions of the forklift. Stable and accurate control, superior speed regulation performance and the functions of regenerative braking, reverse braking and protection for preventing sliding down a ramp, etc. enable safer and more effective and comfortable operations. With large LCD screens to display remaining battery life and have the functions of timer, fault self-diagnosis, mode selection, etc., the human-machine interface-equipped instruments of leading international brands can accurately display information in harsh environments. An energy-saving and environmentally friendly LED lighting system is used.



Braking System

The hydraulic power brake valve with dual pressure curves enables a softer foot feel. A multi-disc wet driving brake acting with a spring, a hydraulically released caliper-type parking brake system and a forced cooling oil circuit are provided, safe and reliable.



Mast System

The widened duplex mast enables higher torsion resistance of the mast and a broader view and double speed limiting valve oil circuits enable higher safety. Hydraulic pitch adjustment and side shift are provided for the standard configuration.

ENJOY YOUR WORK.

Performance with a panorama view

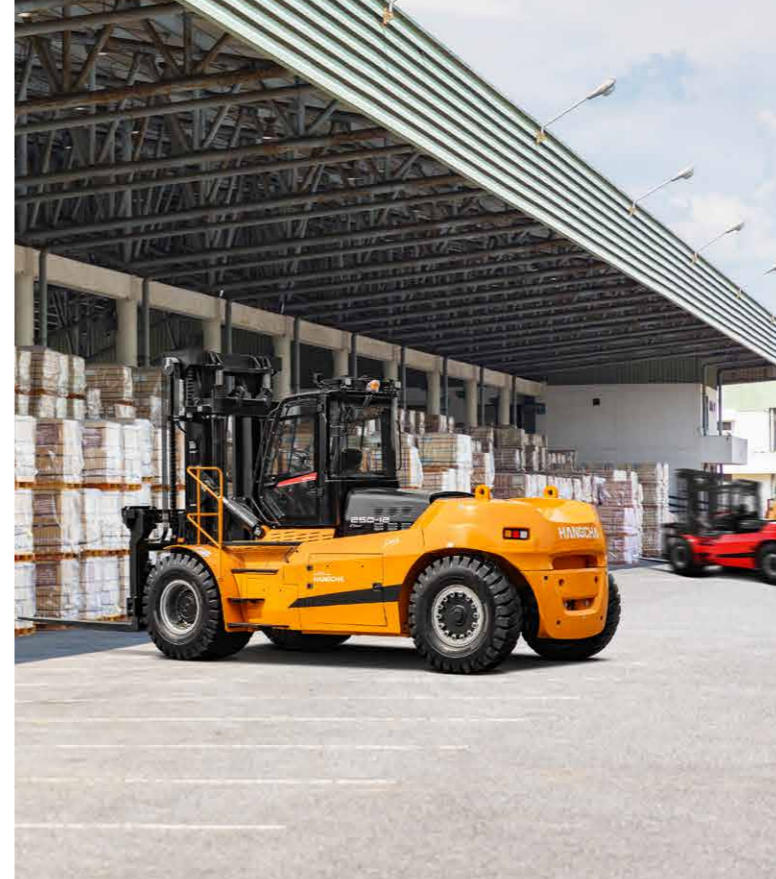
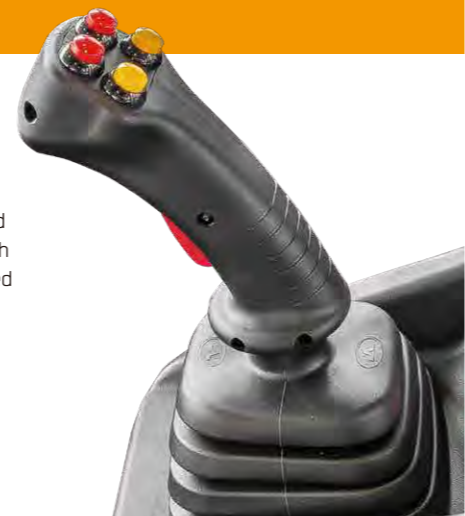
The wide-view mast with optimized design is unlikely to obstruct the operator's line of sight. The enlarged opening size of the fork carriage enables a wider view, a large operation space, and excellent ergonomic design.



New fully-suspended cab

The new fully-suspended cab with panoramic view enables a clearer view. Performance of the air conditioner is improved to enable uniform conditioned air blowing from the air outlet and a strong cooling effect. The waterproof, dust-proof, heatproof, soundproof, noise-reducing sealing design improves driving comfort. The molded interior parts enable a more comfortable feel. The integral frame is constituted by profiled steel pipes. The structural parts have higher strength.

The compact integral joystick enables accurate remote control. The optimized hydraulic braking curve enables smooth easy-to-control braking. The suspended seat and ergonomically-movable multidirectional adjustable console enable comfortable control.



ADVANCEMENT

Both the drive and operating systems are vehicle-grade permanent magnet synchronization systems. The driving speed, upslope degree and acceleration performance rival that of internal combustion vehicles, and the environmental performance is better than that of internal combustion vehicles.

| | High Voltage Lithium Electric Forklift | Change to Diesel Forklift |
|---|--|---------------------------|
| Travel speed, laden/unladen | 25km/h | 27-31km/h |
| Lift speed, laden/unladen | 340/360mm/s | 350/380mm/s |
| Max. gradeability, S2=5min, laden/unladen | 25% | 25% |



Excellent heat dissipation Performance

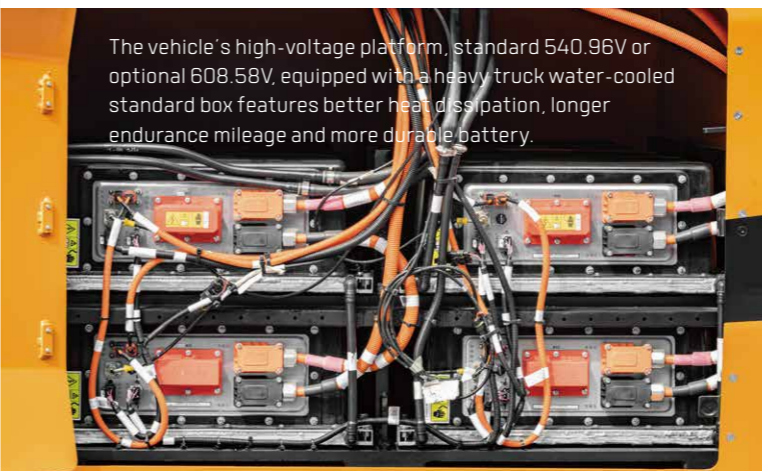
For the first time, a water cooling system is used for controlling the motor, electric control and battery and achieving a good heat dissipation effect, so that the forklift can absolutely carry out long-time and high-intensity operations as internal combustion forklifts.



Dependable powertrain

The vehicle adopts a whole machine controller to redeploy the traction integrated controller (PDU+DC/DC+MCU) to form an intelligent driving system, being light-weighted, efficient and independent.

The vehicle's high-voltage platform, standard 540.96V or optional 608.58V, equipped with a heavy truck water-cooled standard box features better heat dissipation, longer endurance mileage and more durable battery.



The multifunctional color screen instruments are designed to have graphical interfaces and display data clearly. The interfaces can be switched to be shown in Chinese and English.



SAFETY AND MAINTAINABILITY

Some key structural parts have been verified highly reliable by the market for many years while being used by internal combustion forklifts.



Reliable

The cover of the vehicle is designed to be sealed to the water resistance level of IPX4. All the motor, electronic controls and high-voltage components reach the dust and water resistance level of IP67, a high protection level adequate to withstand harsh operating environments and ensure safety and reliability.



MSD maintenance switch

The electrical system is equipped with high-voltage interlocks, insulation detection, and vehicle-grade safety means. The MSD (Manual Service Disconnect) maintenance switch enables one-click power-down and safer maintenance.

Dual charging

TEVC-240KW-WX: Three-Phase
460V/60Hz-Three-phase Five-wire



The wide-opened hood better facilitate repair and maintenance of electrical components.



The over-turnable cab and electric tipping cylinder make tipping easier and more labor-saving.

Optional battery list

| Capacity/voltage | 608.58V | 540.96V |
|------------------|---------|---------|
| 604Ah | ○ | — |
| 456Ah | — | ● |

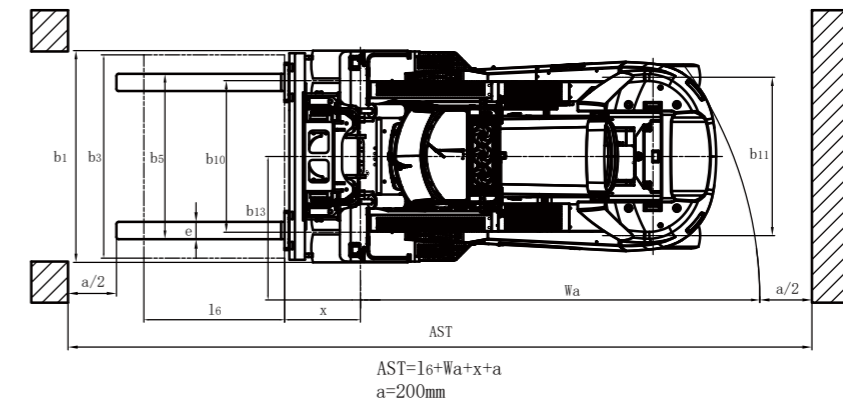
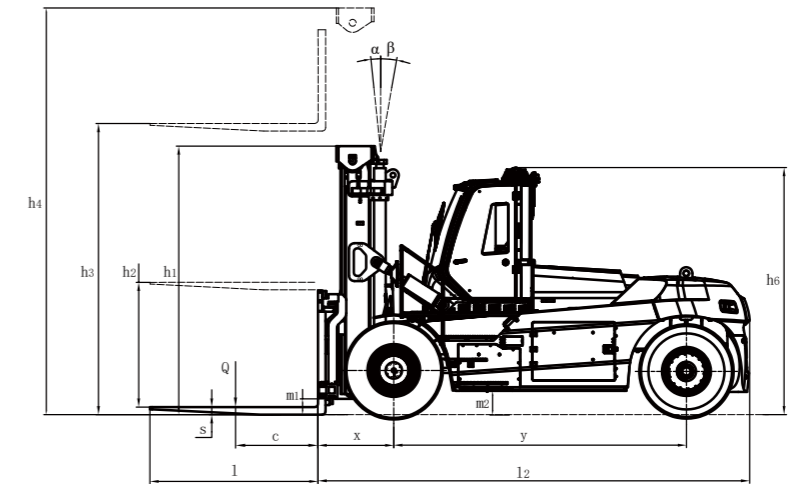
Note: ● Standard battery capacity; ○ Optional battery capacity; — Null.

XH Series High-voltage Lithium Battery Forklift Specification

| Distinguishing mark | 1.1 | Manufacturer | HANGCHA GROUP CO.,LTD. | |
|---------------------|-----------------------------------|---|---|----------------------------|
| | | 1.2 | Manufacturer's type designation | CPD200-XHL2G |
| | 1.3 | Drive: electric (battery or mains), diesel, petrol, fuel gas | Electric | Electric |
| | 1.4 | Operator type: hand, pedestrian, standing, seated, order-picker | Seated | Seated |
| | 1.5 | Rated capacity/rated load | 0 (kg) | 20000 |
| | 1.6 | Load centre distance | c (mm) | 1200 |
| | 1.8 | Load distance, centre of drive axle to fork | x (mm) | 1100 |
| | 1.9 | Wheelbase | y (mm) | 4250 |
| Weight | 2.1 | Service Weight | kg | 35100 |
| | 2.2 | Axle loading, laden front/rear | kg | 49700/5400 |
| | 2.3 | Axle loading, unladen front/rear | kg | 18460/16640 |
| Tyres, chassis | 3.1 | Tyres: solid rubber, superelastic, pneumatic, polyurethane | Pneumatic | Pneumatic |
| | 3.2 | Tyre size, front | 14.00-24-28PR | 14.00-24-28PR |
| | 3.3 | Tyre size, rear | 14.00-24-28PR | 14.00-24-28PR |
| | 3.5 | Wheels, number front / rear (x = driven wheels) | 4x/2 | 4x/2 |
| | 3.6 | Tread, front | b10 (mm) | 2200 |
| | 3.7 | Tread, rear | b11 (mm) | 2300 |
| Dimensions | 4.1 | Tilt of mast/fork carriage forward/backward | α/β (°) | 6/10 |
| | 4.2 | Height, mast lowered | h1 (mm) | 3900 |
| | 4.3 | Free lift | h2 (mm) | 110 |
| | 4.4 | Lift | h3 (mm) | 4000 |
| | 4.5 | Height, mast extended | h4 (mm) | 5890 |
| | 4.7 | Height of cabin | h6 (mm) | 3580 |
| | 4.12 | Coupling height | h10 (mm) | 680 |
| | 4.19 | Overall length | l1 (mm) | 8640 |
| | 4.20 | Length to face of forks | l2 (mm) | 6268 |
| | 4.21 | Overall width | b1 (mm) | 3050 |
| | 4.22 | Fork dimensions | s/e/l(mm) | 110/250/2440 |
| | 4.24 | Fork-carriage width | b3 (mm) | 3000 |
| | 4.25 | Distance between fork-arms | b5 (mm) | 900/2600 |
| | 4.31 | Ground clearance, laden, below mast | m1 (mm) | 280 |
| | 4.32 | Ground clearance, centre of wheelbase | m2 (mm) | 345 |
| | 4.34.1 | Aisle width for pallets 1000 x 1200 crossways | Ast (mm) | 8100 |
| | 4.34.2 | Aisle width for pallets 800 x 1200 lengthways | Ast (mm) | 8300 |
| | 4.35 | Turning radius | Wa (mm) | 5800 |
| 4.36 | Internal turning radius | b13 (mm) | 545 | |
| Performance data | 5.1 | Travel speed, laden/unladen | km/h | 25/25 |
| | 5.2 | Lift speed, laden/unladen | m/s | 0.34/0.36 |
| | 5.3 | Lowering speed, laden/unladen | m/s | 0.40/0.35 |
| | 5.6 | Max. Drawbar pull, laden/unladen | N | 160000 |
| | 5.8 | Max. gradeability, laden/unladen | % | 25/25 |
| | 5.10 | Service brake | | Wet disc brake system(WDB) |
| | Parking brake | | Spring Applied, Hydraulic release multidisc brake(SAHR) | |
| Electric drivetrain | 6.1 | Drive motor rating S9 60 min Rated/Peak | kW | 230/370 |
| | 6.2 | Lift motor rating at S9 15% Rated/Peak | kW | 2 x 50/100 |
| | 6.4 | Battery Capacity | kWh/AH | 247/456 |
| | | Nominal Voltage | V | 541 |
| | 6.5 | Battery weight | kg | 3310 |
| | | Battery dimensions | l/b/h(mm) | 1900/1410/886 |
| | Max. battery weight | kg | 2200 | |
| | Min. battery weight | kg | 3200 | |
| Addition data | 10.3 | Hydraulic Tank - capacity (drain & refill) | liter | 500 |
| | 10.7 | Sound pressure level at the driver's seat | dB (A) | 71 |
| | 10.8 | Towing coupling, type DIN 15170 | | Φ50 Pin |
| | Hydraulic system working pressure | MPa | 26 | |

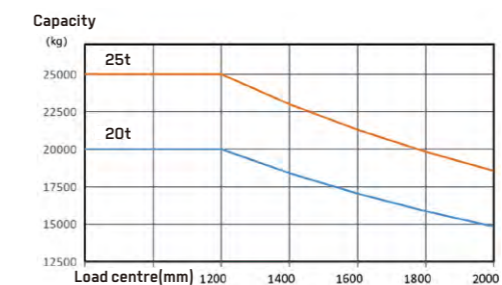
20-25t Mast Specification:(Pneumatic)

| Type | Model | Max. fork height | Overall height | | Tilt range | Capacity | |
|------------------------|------------|------------------|----------------|----------|------------|-------------------------|-------|
| | | | Lowered | Extended | | Load Capacity at 1200mm | |
| | | | mm | mm | mm | (°) | 20t |
| 2-stage wide view mast | GXR250M330 | 3300 | 3550 | 5190 | 6/10 | 20000 | 25000 |
| | GXR250M360 | 3600 | 3700 | 5490 | 6/10 | 20000 | 25000 |
| | GXR250M400 | 4000 | 3900 | 5890 | 6/10 | 20000 | 25000 |
| | GXR250M430 | 4300 | 4050 | 6190 | 6/10 | 20000 | 25000 |
| | GXR250M450 | 4500 | 4150 | 6390 | 6/10 | 20000 | 25000 |
| | GXR250M480 | 4800 | 4300 | 6690 | 6/10 | 20000 | 25000 |
| | GXR250M500 | 5000 | 4450 | 6940 | 6/10 | 20000 | 25000 |
| | GXR250M550 | 5500 | 4700 | 7440 | 3/6 | 18500 | 23500 |
| | GXR250M600 | 6000 | 5000 | 7990 | 3/6 | 17000 | 22000 |
| | GXR250M650 | 6500 | 5250 | 8490 | 3/6 | 15000 | 20000 |
| GXR250M700 | 7000 | 5550 | 9040 | 3/6 | 13000 | 18000 | |



$$AST = l6 + Wa + x + a$$

$$a = 200\text{mm}$$



Features

| Transmission | Standard | Options |
|--|----------|---------|
| Pneumatic tyre | ● | |
| Solid tyre | | ○ |
| Steering system | | |
| Fully hydraulic power steering | ● | |
| Centralized lubrication system (machine) | | ○ |
| Truck | | |
| Tow pin | ● | |
| Rear-view mirror on right & left mudguards | ● | |
| Electrostatic discharge chain | | ○ |
| Operating system | | |
| Integrated joystick | ● | |
| Adjustable steering column | ● | |
| Adjustable armrest | ● | |
| Hydraulic system | | |
| Four-way hydraulic valve | ● | |
| Operation proportion control | ● | |
| Cab | | |
| Cabin | ● | |
| Climate control system (air-conditioning and heater) | ● | |
| Manual tilting cabin | ● | |
| Electric tilting cabin | ● | |
| Radio | ● | |
| Sunshade | ● | |
| USB charging interface | ● | |
| Clothes hanger hook | ● | |
| Reading light | ● | |
| Fan | ● | |
| 1 x 24V power supply | | ○ |
| 1 x 12V power supply | | ○ |
| License plate frame | | ○ |
| Lifting components | | |
| Duplex mast | ● | |
| Standard lifting height | ● | |
| Standard fork | ● | |
| Hydraulic Fork Positioning | ● | |
| Built in Sideshift | ● | |
| Optional lifting height | | ○ |
| Other fork specifications | | ○ |
| Fork hook on type | | ○ |
| Independently-adjustable fork | | ○ |
| Other | | |
| Standard color | ● | |
| Vehicle toolkit | ● | |
| User defined colour | | ○ |
| Fire extinguisher (2kg/4kg) | | ○ |

| Electrical System | Standard | Options |
|--|----------|---------|
| Operator Presense System (OPS) with buzzer | ● | |
| LCD display screen | ● | |
| Main power switch | ● | |
| Emergency power off switch | ● | |
| Maintenance-free 24V lead acid battery | ● | |
| Reverse buzzer | ● | |
| High decible horn | ● | |
| LED lights (entire vehicle) | ● | |
| 2 x Working light on front mudguard | ● | |
| 2 x Front working light on top of cabin | ● | |
| 2 x Rear working light on top of cabin | ● | |
| 2 x Working light on both sides of mast | ● | |
| Reverse sensor | ● | |
| Rearview camera system | ● | |
| Flashing warning light (non rotating) with control switch | ● | |
| On-board diagnostics system | ● | |
| Water cooling system for lithium battery | ● | |
| Automatic fire suppression system for lithium battery pack | ● | |
| Automatic fire suppression system | | ○ |
| Manual Service Disconnect (MSD) switch | ● | |
| High voltage interlock | ● | |
| Insulation protection | ● | |
| Power-on self-test | ● | |
| Energy recovery (braking regeneration) | ● | |
| Vehicle Control Unit (VCU) | ● | |
| Dual charging ports | ● | |
| Hour meter | ● | |
| Battery charge indicator | ● | |
| Low hydraulic pressure alarm indicator | ● | |
| Hydraulic oil filter warning indicator | ● | |
| Drive mode indicator | ● | |
| Parking brake indicator | ● | |
| Service indicator | | ○ |
| Rearview camera system with memory | | ○ |
| Front & rearview camera system | | ○ |
| Front & rearview camera system with memory | | ○ |
| 4 directions camera system with single display | | ○ |
| 4 directions camera recording system with single display | | ○ |
| In cabin CCTV | | ○ |
| Rear blue safety light | | ○ |
| Front and rear blue safety light | | ○ |
| Three sided blue danger zone light | | ○ |
| Overspeed alarm | | ○ |
| Speed limitation | | ○ |
| Voice reverse alarm | | ○ |
| Two-way radio | | ○ |
| Weight indicator in display | | ○ |
| Tyre pressure monitoring | | ○ |
| Turning deceleration | | ○ |