

PT SOLUSI INDO PERDANA
BE PRODUCTIVE, BE SOLUTIVE FOR MATERIAL HANDLING

SANY MARINE HEAVY INDUSTRY

SCP250C2

SANY HEAVY DUTY FORKLIFT TRUCKS

High Efficiency & Heavy Load Model of Cost Performance



RATED CAPACITY

164kW/2300rpm

OVERALL WEIGHT

35600kg

RATED LOAD

25t

LIFTING HEIGHT

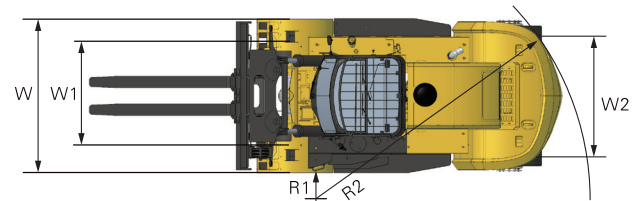
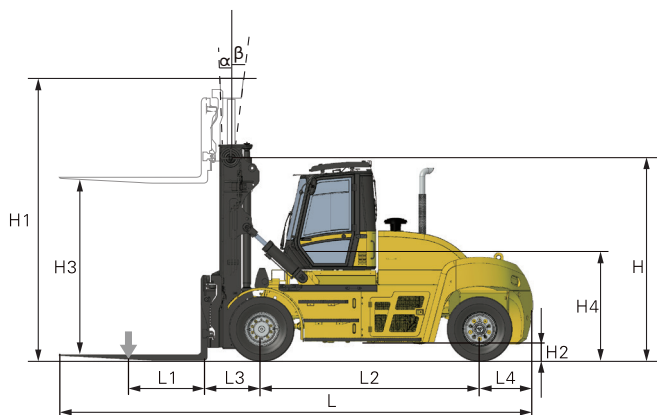
4m

► Product Parameters

Technical Parameter		
ITEM	UNIT	SCP250C2
Overall weight	t	35.6
Rated capacity	t	25
Lift speed (laden/unladen)	mm/s	250/300
Lowering speed (laden/unladen)	mm/s	400/400
Travel speed (laden/unladen)	km/h	26/30
Gradeability (laden)	%	29
Length overall L	mm	8880
Width overall W	mm	3100
Height overall H	mm	3960
Load center L1	mm	1200
Wheel base L2	mm	4300
Overhang front L3	mm	1135
Overhang rear L4	mm	1005
Ground clearance H2	mm	330
Seat height above ground H4	mm	2040
Inner turning radius R1	mm	940
Outer turning radius R2	mm	6000
Front track width W1	mm	2204
Rear track width W2	mm	2450
Mast height (Retracted H /extended H1)	mm	3960/5905
Lift height standard H3	mm	4000
Mast tilt (forward/backwards)	deg	5/10

Configuration Parameter			
CONFIGURATION		UNIT	SCP250C2
Engine	Type	-	CUMMINS QSB6.7
	Rated capacity	kW/rpm	164/2300
	Max torque	Nm/rpm	949/1500
	Emission standard	-	III
Transmission type		-	DANA 340TE17312
Drive axle type		-	SANY WF / KESSLER-D91PL488
Forks	Dimension (Length×width×height)	mm	2440×250×110
	Fork distance (Minimum~maximum)	mm	786~2776
	Applicaton	-	ISO 20'container, large tonnage or bulk cargo
Tire dimension		-	14.00-24PR

► Dimensions



PT SOLUSI INDO PERDANA

BE PRODUCTIVE, BE SOLUTIVE FOR MATERIAL HANDLING

Head Office :

Ruko Pesona Gintung Residence, Blok AA No. 06, Cempaka Putih, Ciputat Timur, Tangsel 15412

Branch Office :

Jl. Sultan Hasanudin KM.41 No. 2 Blok E24, Tambun, Kec. Tambun Selatan, Kab. Bekasi - 17510

Email :
sales@alatberatsip.co.id

Hotline Service :
(021) 7433477 / 087720101020