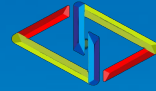


**SANY**<sup>®</sup>

QUALITY CHANGES THE WORLD



**PT SOLUSI INDO PERDANA**

BE PRODUCTIVE, BE SOLUTIVE FOR MATERIAL HANDLING



**HEAVY DUTY FORKLIFT TRUCKS**

# SANY MARINE



As a key division of SANY International, SANY Marine operates from Zhuhai, Guangdong Province, specializes in MPM (RS, ECH), port crane (RTG, RMG, STS, Jib Crane, MHC and SC), and logistics equipment (material handlers, heavy-duty forklifts, ETT, and TH)

## CONTENTS

SCPE100	▶ 06
SCPE120	▶ 08
SCPE160	▶ 10
SCPE250	▶ 12
SCPE300	▶ 14
SCPE350	▶ 16
SCP100A1	▶ 18
SCP130A1	▶ 20
SCP160G5	▶ 22
SCP250G5	▶ 26
SCP300G5	▶ 28
SCP320C2	▶ 30
SCP350C1A	▶ 32
SCP460C1	▶ 34
Load diagram	▶ 36
Features	▶ 38
Mast Options	▶ 40
Add-On Options	▶ 42
Attachment options	▶ 43
Construction Cases	▶ 44

SANY Marine launched its first heavy-duty forklift trucks in 2005, with total sales over 2,000 units.

The product line from 10 to 46 tons capacity, offering multiple attachments and various mast configurations.



# SCPE100 SCP100E-EU



## Powerful

- 27% laden / 47% unladen gradeability (10T)

## Durable

- Liquid-cooled batteries | Wet-disc brakes

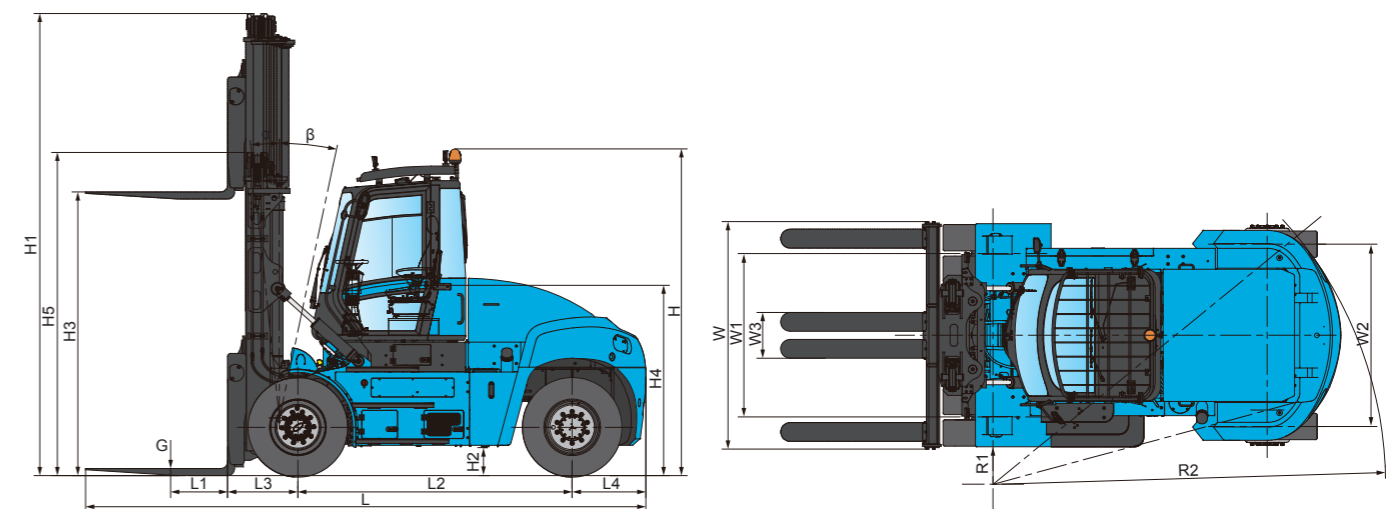
## Easy Maintenance

- Central box-girder chassis | Side service access

## Product Parameters

Technical Parameter					
ITEM			UNIT	SCPE100	SCP100E-EU
Configuration Parameter	Drive motor	Type	-	INOVANCE	INOVANCE
		Power	kW/rpm	105	105
	Pump motor	Type	-	INOVANCE	INOVANCE
		power	kW/rpm	63	63
	Motor controller	Type	-	INOVANCE	INOVANCE
		Type	-	CALB	CATL
	Battery Li-Ion	Battery Rated Voltage	V	580	521
Battery Rated Capacity		kWh	94&114	90&114	
Drive axle type		-	SANYWF	SANY WF	
Performance Parameter	Tire dimension		-	9.00-20 16PR	9.00-20 16PR
	Rated capacity		t	10	10
	Overall weight		kg	13500	13500
	Lift speed (laden/unladen)		mm/s	450/500	450/500
	Lowering speed (laden/unladen)		mm/s	500/450	500/450
	Travel speed (laden/unladen)		km/h	25/25	25/25
	Gradeability (laden)		%	27	27
	Length×width×height (L×W×H)		mm	5724×2408×3435	5724×2408×3435
	Load center (L1)		mm	600	600
	Wheel base (L2)		mm	2700	2700
	Overhang front (L3)		mm	745	745
	Overhang rear (L4)		mm	779	779
	Ground clearance (H2)		mm	275	275
Seat height above ground (H4)		mm	1992	1992	
Inner turning radius (R1)		mm	325	325	
Outer turning radius (R2)		mm	4000	4000	
Front track width (W1)		mm	1728	1728	
Rear track width (W2)		mm	1960	1960	
Mast	Mast height (retracted H5/extended H1)		mm	3398/4868	3398/4868
	Lift height standard (H3)		mm	3000	3000
	Mast tilt (forward/backwards)		deg	6/12	6/12
Forks	Dimension (Length×width×height)		mm	1500×200×75	1500×200×75
	Fork distance (Minimum~maximum W3)		mm	485~2245	485~2245

## Dimensions



# SCPE120 SCPE120-EU



## Powerful

- 27% laden / 47% unladen gradeability (10T)

## Durable

- Liquid-cooled batteries | Wet-disc brakes

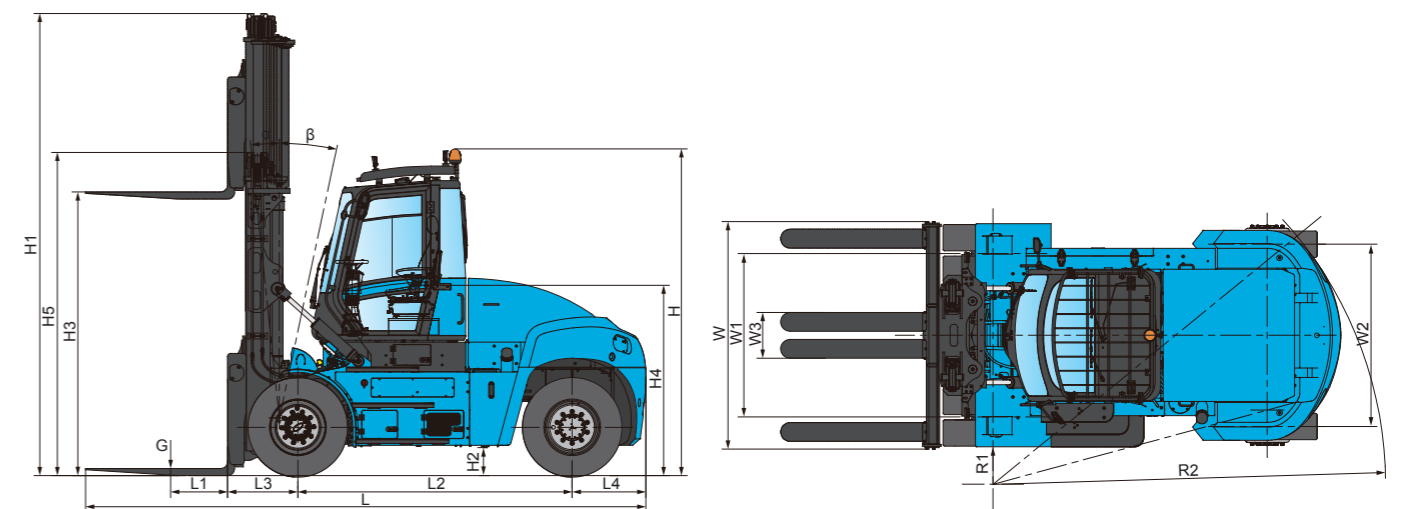
## Easy Maintenance

- Central box-girder chassis | Side service access

## Product Parameters

Technical Parameter					
ITEM			UNIT	SCPE120	SCPE120-EU
Configuration Parameter	Drive motor	Type	-	INOVANCE	INOVANCE
		Power	kW/rpm	105	105
	Pump motor	Type	-	INOVANCE	INOVANCE
		power	kW/rpm	63	63
	Motor controller	Type	-	INOVANCE	INOVANCE
		Type	-	CALB	CATL
	Battery Li-Ion	Battery rated voltage	V	500	500
Battery rated capacity		kWh	114&141	114&141	
Performance Parameter	Drive axle type	-	SANYWF	SANY WF	
	Tire dimension	-	10.00-20 16PR	10.00-20 16PR	
Performance Parameter	Rated capacity	t	12	12	
	Overall weight	kg	14500	14500	
	Lift speed (laden/unladen)	mm/s	450/500	450/500	
	Lowering speed (laden/unladen)	mm/s	500/450	500/450	
	Travel speed (laden/unladen)	km/h	26/26	26/26	
	Gradeability (laden)	%	22	22	
	Dimensions	Length×width×height (L×W×H)	mm	5924×2408×3455	5924×2408×3455
Load center (L1)		mm	600	600	
Wheel base (L2)		mm	2900	2900	
Overhang front (L3)		mm	745	745	
Overhang rear (L4)		mm	779	779	
Ground clearance (H2)		mm	295	295	
Seat height above ground (H4)		mm	2012	2012	
Inner turning radius (R1)		mm	410	410	
Outer turning radius (R2)		mm	4150	4150	
Front track width (W1)		mm	1732	1732	
Rear track width (W2)		mm	1930	1930	
Mast		Mast height (retracted H5/extended H1)	mm	3418/4888	3418/4888
	Lift height standard (H3)	mm	3000	3000	
	Mast tilt (forward/backwards)	deg	6/12	6/12	
Forks	Dimension (Length×width×height)	mm	1500×200×75	1500×200×75	
	Fork distance (Minimum~maximum W3)	mm	485~2245	485~2245	

## Dimensions



# SCPE160 SCP160E-EU



## Long Runtime

- 141/210 kWh options | 2.2kWh = 1L diesel

## Fast Charge

- 0-100% in 60 min | 0-80% in 30 min

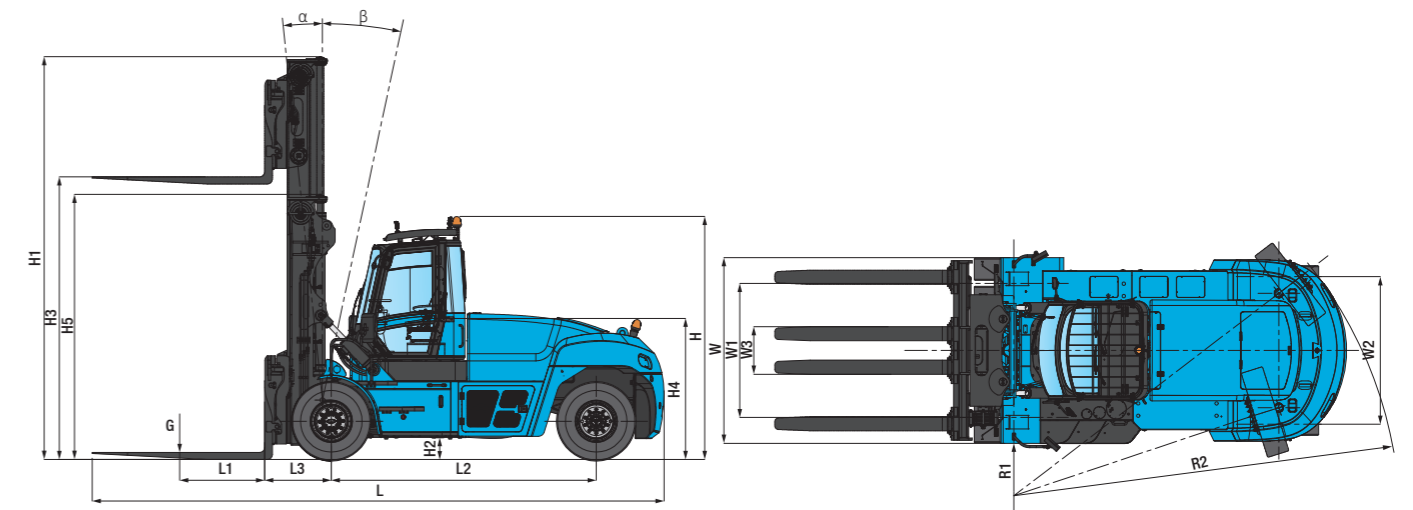
## Efficient

- 400mm/s laden lift speed

## Product Parameters

Technical Parameter						
ITEM			UNIT	SCPE160	SCP160E-EU	
Configuration Parameter	Drive motor	Type	-	LVKON	LVKON	
		Power	kW/rpm	100	100	
	Pump motor	Type	-	LVKON	LVKON	
		power	kW/rpm	75	75	
	Motor controller	Type	-	LVKON	INOVANCE	
		Type	-	CATL	CATL	
	Battery Li-Ion	Battery rated voltage	V	618	608	
Battery rated capacity		kWh	141&210	141&210		
Drive axle type		-	SANYWF	SANY WF		
Tire dimension			-	12.00-20 18PR	12.00-20 18PR	
Performance Parameter	Rated capacity			t	16	16
	Overall weight			kg	22600	22600
	Lift speed (laden/unladen)			mm/s	400/450	400/450
	Lowering speed (laden/unladen)			mm/s	450/430	450/430
	Travel speed (laden/unladen)			km/h	22/24	22/24
	Gradeability (laden)			%	15	15
Dimensions	Length width height (L×W×H)			mm	8095×2834×3440	8095×2834×3440
	Load center (L1)			mm	1200	1200
	Wheel base (L2)			mm	3750	3750
	Overhang front (L3)			mm	943	943
	Overhang rear (L4)			mm	962	962
	Ground clearance (H2)			mm	305	305
	Seat height above ground (H4)			mm	1997	1997
	Inner turning radius (R1)			mm	685	685
	Outer turning radius (R2)			mm	5200	5200
	Front track width (W1)			mm	1898	1898
	Rear track width (W2)			mm	2090	2090
Mast	Mast height (retracted H5/extended H1)			mm	3754/5704	3754/5704
	Lift height standard (H3)			mm	4000	4000
	Mast tilt (forward/backwards)			deg	6/12	6/12
Forks	Dimension (Length×width×height)			mm	2440×200×100	2440×200×100
	Fork distance (Minimum~maximum W3)			mm	674~2274	674~2274

## Dimensions



# SCPE250 SCPE250-EU



### Energy-Saving

- Direct-drive motors | High-voltage system | Regen braking

### Comfort

- Panoramic cab | Aviation controls | Suspension seat

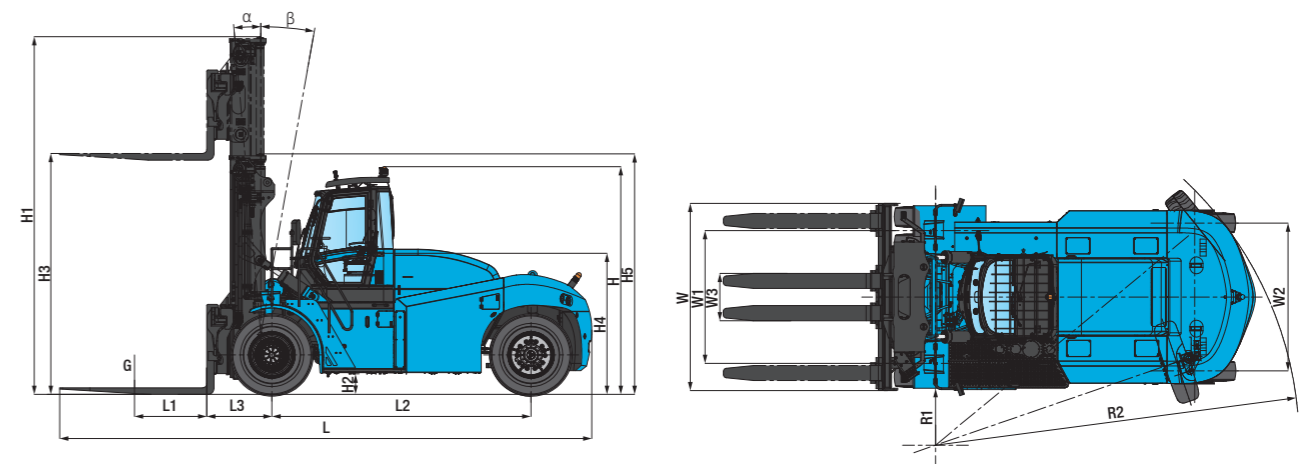
### Smart Features

- Pedestrian detection | 360° view | Operator ID

## Product Parameters

Technical Parameter						
ITEM			UNIT	SCPE250	SCPE250-EU	
Configuration Parameter	Drive motor	Type	-	LVKON	LVKON	
		Power	kW/rpm	130	130	
	Pump motor	Type	-	LVKON	LVKON	
		power	kW/rpm	100	100	
	Motor controller	Type	-	LVKON	INOVANCE	
		Type	-	CATL	CATL	
	Battery Li-Ion	Battery rated voltage	V	618	618	
Battery rated capacity		kWh	282	282		
Drive axle type		-	SANYWF	SANY WF		
Tire dimension			-	14.00-24 32PR	14.00-24 32PR	
Performance Parameter	Rated capacity			t	25	25
	Overall weight			kg	33500	33500
	Lift speed (laden/unladen)			mm/s	320/350	320/350
	Lowering speed (laden/unladen)			mm/s	400/400	400/400
	Travel speed (laden/unladen)			km/h	21/23	21/23
	Gradeability (laden)			%	18	18
Dimensions	Length width height (L×W×H)			mm	8828×3108×3783	8828×3280×3780
	Load center (L1)			mm	1200	1200
	Wheel base (L2)			mm	4300	4300
	Overhang front (L3)			mm	1080	1080
	Overhang rear (L4)			mm	1008	1008
	Ground clearance (H2)			mm	337	337
	Seat height above ground (H4)			mm	2315	2315
	Inner turning radius (R1)			mm	940	940
	Outer turning radius (R2)			mm	6000	6000
	Front track width (W1)			mm	2204	2204
	Rear track width (W2)			mm	2450	2450
Mast	Mast height (retracted H5/extended H1)			mm	3994/5939	3994/5939
	Lift height standard (H3)			mm	4000	4000
	Mast tilt (forward/backwards)			deg	5/10	5/10
Forks	Dimension (Length×width×height)			mm	2440×250×110	2440×250×110
	Fork distance (Minimum~maximum W3)			mm	786~2776	786~2776

## Dimensions



## SCPE300



## Energy-Saving

- Direct-drive motors | High-voltage system | Regen braking

## Comfort

- Panoramic cab | Aviation controls | Suspension seat

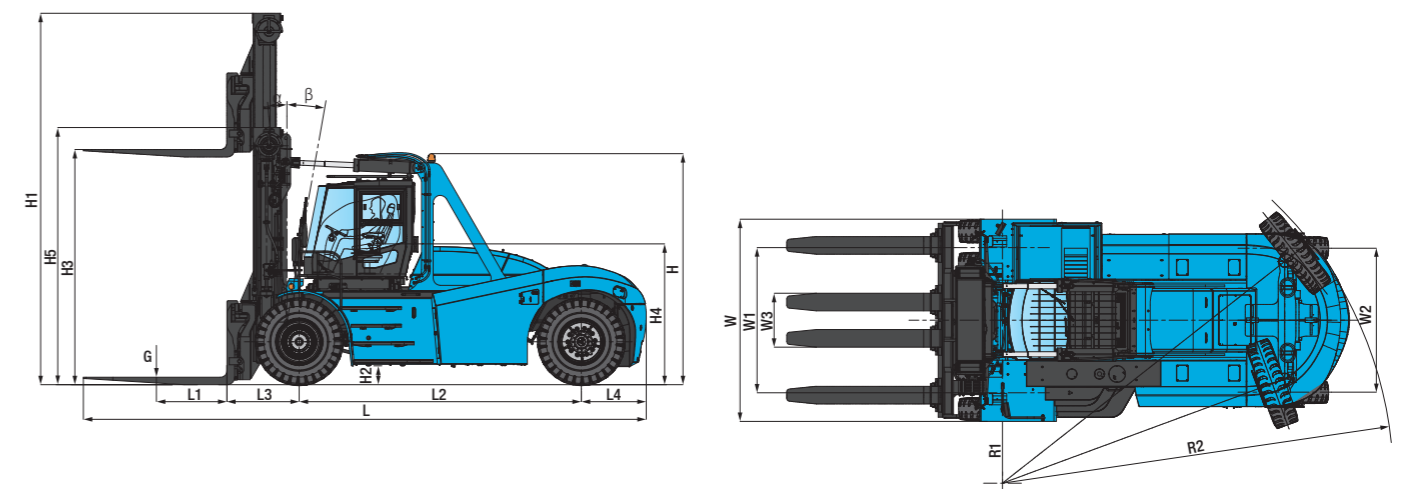
## Smart Features

- Pedestrian detection | 360° view | Operator ID

## Product Parameters

Technical Parameter					
ITEM			UNIT	SCPE300	
Configuration Parameter	Drive motor	Type	-	LVKON	
		Power	kW/rpm	171	
	Pump motor	Type	-	LVKON	
		power	kW/rpm	160	
	Motor controller	Type	-	INOVANCE	
		Type	-	CATL	
	Battery Li-Ion	Battery rated voltage	V	580	
		Battery rated capacity	kWh	350	
Drive axle type			-	SANYWF	
Tire dimension			-	16.00-25 32PR	
Performance Parameter	Rated capacity			t	30
	Overall weight			kg	42500
	Lift speed (laden/unladen)			mm/s	300/350
	Lowering speed (laden/unladen)			mm/s	400/400
	Travel speed (laden/unladen)			km/h	26/28
	Gradeability (laden)			%	19
Dimensions	Length width height (L×W×H)			mm	9573×3440×3932
	Load center (L1)			mm	1200
	Wheel base (L2)			mm	4800
	Overhang front (L3)			mm	1230
	Overhang rear (L4)			mm	1103
	Ground clearance (H2)			mm	320
	Seat height above ground (H4)			mm	2395
	Inner turning radius (R1)			mm	1052
	Outer turning radius (R2)			mm	6650
	Front track width (W1)			mm	2472
	Rear track width (W2)			mm	2450
	Mast	Mast height (retracted H5 /extended H1)			mm
Lift height standard (H3)				mm	4000
Mast tilt (forward/backwards)				deg	5/10
Forks	Dimension (Length×width×height)			mm	2440×300×110
	Fork distance (Minimum~maximum W3)			mm	918~2848

## Dimensions



# SCPE320 SCPE350



## Energy-Saving

- Direct-drive motors | High-voltage system | Regen braking

## Smart Features

- Pedestrian detection | 360° view | Operator ID

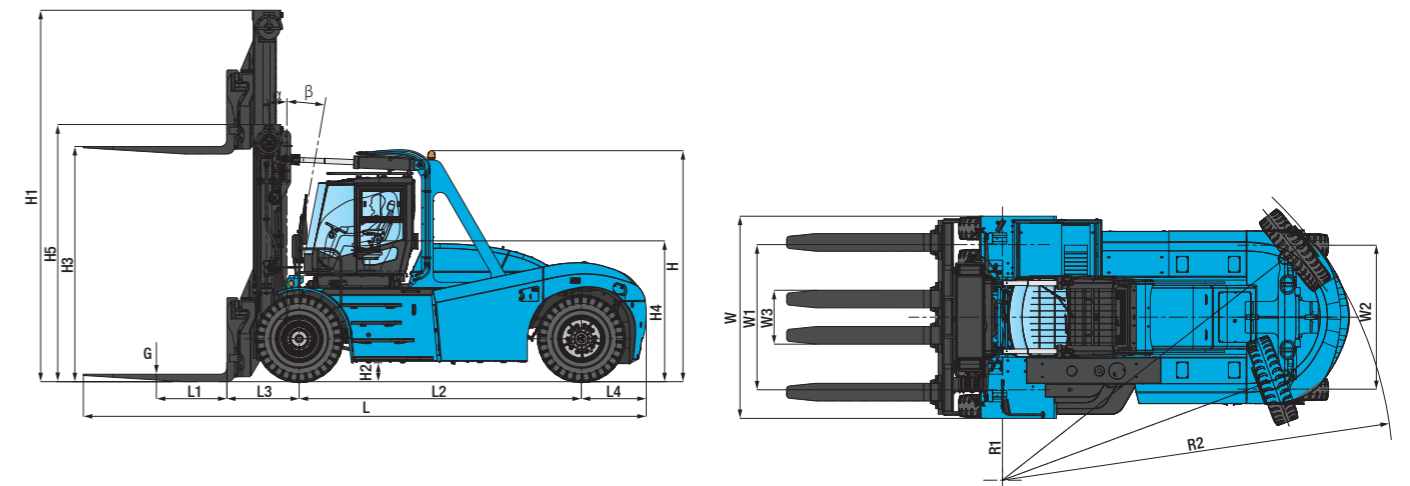
## Comfort

- Panoramic cab | Aviation controls | Suspension seat

## Product Parameters

Technical Parameter						
ITEM			UNIT	SCPE320	SCPE350	
Configuration Parameter	Drive motor	Type	-	LVKON	LVKON	
		Power	kW/rpm	171	171	
	Pump motor	Type	-	LVKON	LVKON	
		power	kW/rpm	160	160	
	Motor controller	Type	-	LVKON	LVKON	
		Type	-	CATL	CATL	
	Battery Li-Ion	Battery Rated Voltage	V	580	580	
Battery Rated Capacity		kWh	350	350		
Drive axle type			-	SANYWF	SANY WF	
Tire dimension			-	16.00-25 32PR	16.00-25 32PR	
Performance Parameter	Rated capacity			t	32	35
	Overall weight			kg	43000	43800
	Lift speed (laden/unladen)			mm/s	300/350	300/350
	Lowering speed (laden/unladen)			mm/s	400/400	400/400
	Travel speed (laden/unladen)			km/h	26/28	26/28
	Gradeability (laden)			%	18	17
Dimensions	Length×width×height (L×W×H)			mm	9573×3440×3932	9573×3440×3932
	Load center (L1)			mm	1200	1200
	Wheel base (L2)			mm	4800	4800
	Overhang front (L3)			mm	1230	1230
	Overhang rear (L4)			mm	1103	1103
	Ground clearance (H2)			mm	320	320
	Seat height above ground (H4)			mm	2395	2395
	Inner turning radius (R1)			mm	1052	1052
	Outer turning radius (R2)			mm	6650	6650
	Front track width (W1)			mm	2472	2472
	Rear track width (W2)			mm	2450	2450
	Mast	Mast height (retracted H5/extended H1)			mm	4375/6320
Lift height standard (H3)				mm	4000	4000
Mast tilt (forward/backwards)				deg	5/10	5/10
Forks	Dimension (Length×width×height)			mm	2440×300×125	2440×300×125
	Fork distance (Minimum~maximum W3)			mm	918~2848	918~2848

## Dimensions



# SCP100A1



## Premium Spec

- Cummins engine | Dana transmission | Kessler axles

## Comfort

- Full visibility | Aviation joysticks | Suspension seat

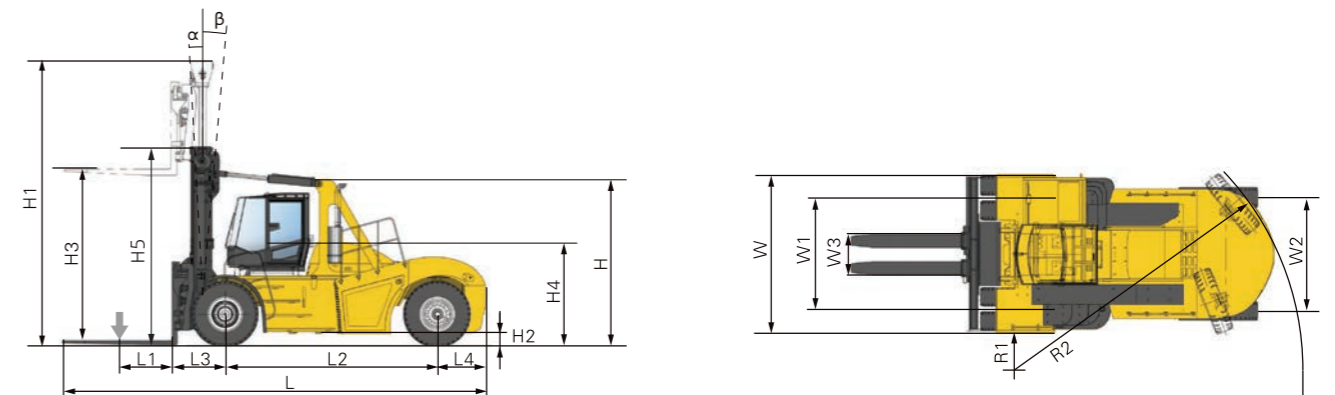
## Stylish

- Streamlined body | Curved cab

## Product Parameters

Technical Parameter				
ITEM		UNIT	SCP100A1	
Configuration parameter	Engine	Type	-	CUMMINS QSB4.5
		Rated power/speed	kw/rpm	119/2300
		Max torque	Nm/rpm	624/1500
		Emission standard	-	Tier IV
	Transmission type	-	DANA TE10	
	Drive axle type	-	KESSLER D61	
Performance parameter	Tire dimension	-	10.00-2016PR	
	Rated load	t	10	
	Overall weight	kg	16500	
	Lift speed (laden/unladen)	mm/s	400/450	
	Lowering speed (laden/unladen)	mm/s	500/480	
	Travel speed (laden/unladen)	km/h	30/31	
Dimensions	Gradeability (laden)	%	31	
	Length×width×height (L×W×H)	mm	6788×2366×3470	
	Load center (L1)	mm	610	
	Wheel base (L2)	mm	2700	
	Overhang front (L3)	mm	869	
	Overhang rear (L4)	mm	779	
	Ground clearance (H2)	mm	264	
	Seat height above ground (H4)	mm	1910	
	Inner turning radius (R1)	mm	410	
	Outer turning radius (R2)	mm	4000	
	Front track width (W1)	mm	1732	
Rear track width (W2)	mm	1930		
Mast	Mast height (retracted H5 /extended H1)	mm	3635/5478	
	Lift height standard H3	mm	3761	
	Mast tilt (forward/backwards)	deg	15/12	
Forks	Dimension (Length×width×height)	mm	2440×200×75	
	Fork distance (Minimum~maximum W3)	mm	485~2245	

## Dimensions



# SCP130A1 SCP130H



## Premium Spec

- Cummins engine | Dana transmission | Kessler axles

## Comfort

- Full visibility | Aviation joysticks | Suspension seat

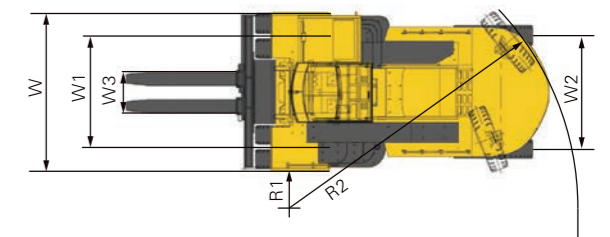
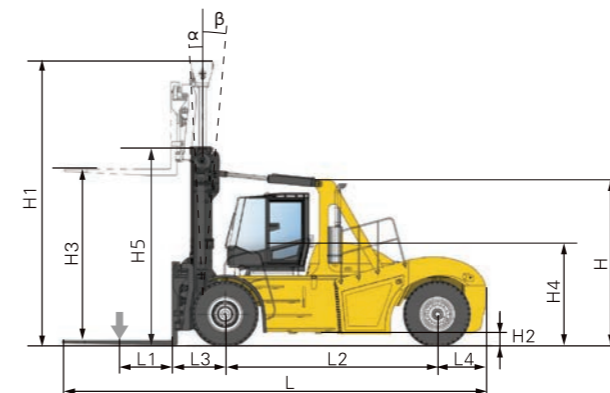
## Stylish

- Streamlined body | Curved cab

## Product Parameters

Technical Parameter					
ITEM			UNIT	SCP130A1	SCP130H
Configuration parameter	Engine	Type	-	CUMMINS QSB4.5	CUMMINS QSB4.5(东康)
		Rated power/speed	kW/rpm	119/2300	119/2300
		Max torque	Nm/rpm	624/1500	624/1500
		Emission standard	-	Tier IV	Stage III
	Transmission type	-	DANA TE10	DANA TE10	
Performance parameter	Drive axle type	-	KESSLER D61	SANY WF	
	Tire dimension	-	10.00-20 16PR	10.00-20 16PR	
	Rated load	t	13	13	
	Overall weight	kg	17500	17500	
	Lift speed (laden/unladen)	mm/s	400/450	400/450	
Dimensions	Lowering speed (laden/unladen)	mm/s	500/480	500/480	
	Travel speed (laden/unladen)	km/h	30/31	30/31	
	Gradeability (laden)	%	31	31	
	Length×width×height (L×W×H)	mm	6988×2366×3470	6988×2366×3470	
	Load center (L1)	mm	610	600	
	Wheel base (L2)	mm	2900	2900	
	Overhang front (L3)	mm	869	869	
	Overhang rear (L4)	mm	779	779	
	Ground clearance (H2)	mm	264	264	
	Seat height above ground (H4)	mm	1910	1910	
	Inner turning radius (R1)	mm	410	410	
	Outer turning radius (R2)	mm	4150	4150	
	Front track width (W1)	mm	1732	1732	
Rear track width (W2)	mm	1930	1930		
Mast	Mast height (retracted H5/extended H1)	mm	3635/5478	3635/5478	
	Lift height standard H3	mm	3761	3761	
	Mast tilt (forward/backwards)	deg	15/12	15/12	
Forks	Dimension (Length×width×height)	mm	2440×200×75	2440×200×75	
	Fork distance (Minimum~maximum W3)	mm	485~2245	495~2225	

## Dimensions



# SCP140A-6 SCP160A1-6 SCP160A1-6L SCP160A2-6



## Versatile

- Fork/ bale spike/ spreader/ clamp compatible

## High-End

- Cummins | Dana | Kessler

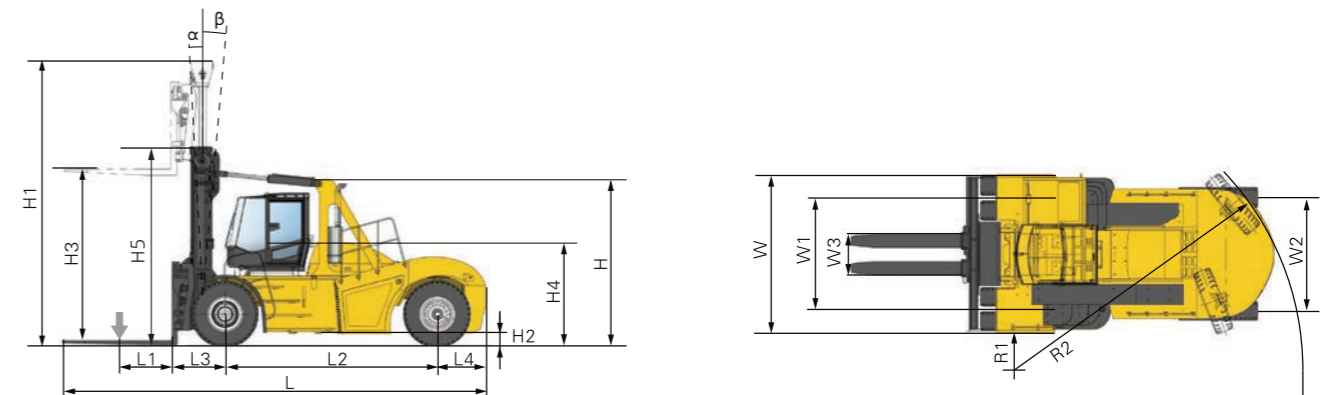
## Comfort

- Panoramic cab | Integrated controls | Suspension seat

## Product Parameters

Technical Parameter							
ITEM		UNIT	SCP140A-6	SCP160A1-6	SCP160A1-6L	SCP160A2-6	
Configuration parameter	Engine	Type	-	CUMMINS QSB6.7	CUMMINS QSB6.7	CUMMINS QSB6.7	Cummins QSB6.7(广康)
		Rated power/speed	kW/rpm	122/2300	122/2300	122/2300	124/2050
		Max torque	Nm/rpm	732/1500	732/1500	732/1500	658/1800
		Emission standard	-	Tier IV	Tier IV	Tier IV	Stage III
	Transmission type	-	DANA TE10	DANA TE10	DANA TE10	DANA TE10	
	Drive axle type	-	KESSLER D81	KESSLER D81	KESSLER D81	SANY WF	
	Tire dimension	-	12.00-20 18PR	12.00-20 18PR	12.00-20 18PR	12.00-20 18PR	
Performance parameter	Rated load	t	14	16	16	16	
	Overall weight	kg	18400	19300	21200	19300	
	Lift speed (laden/unladen)	mm/s	350/400	350/400	350/400	350/400	
	Lowering speed (laden/unladen)	mm/s	500/480	500/480	500/480	500/480	
	Travel speed (laden/unladen)	km/h	25/27	25/27	25/27	23/25	
	Gradeability (laden)	%	33	33	33	28	
	Dimensions	Length×width×height (L×W×H)	mm	7411×2618×3510	7411×2618×3510	7439×2688×3510	7411×2618×3510
Load center (L1)		mm	610	610	610	600	
Wheel base (L2)		mm	3300	3300	3300	3300	
Overhang front (L3)		mm	891	891	920	891	
Overhang rear (L4)		mm	779	779	779	779	
Ground clearance (H2)		mm	310	310	310	310	
Seat height above ground (H4)		mm	1984	1984	1984	1984	
Inner turning radius (R1)		mm	418	418	418	418	
Outer turning radius (R2)		mm	4571	4571	4571	4571	
Front track width (W1)		mm	1898	1898	1898	1898	
Rear track width (W2)		mm	1930	1930	1930	1930	
Mast		Mast height (retracted H5 / extended H1)	mm	3545/5380	3545/5380	4144/6369	3545/5380
	Lift height standard H3	mm	3761	3761	4500	3761	
	Mast tilt (forward/backwards)	deg	15/12	15/12	15/10	15/12	
Forks	Dimension (Length×width×height)	mm	2440×200×90	2440×200×90	2440×400×60	2440×200×90	
	Fork distance (Minimum~maximum W3)	mm	486~2396	486~2396	836~2436	486~2396	

## Dimensions



# SCP160V2A SCP160G5A SCP160V4-S SCP160V4A



## Versatile

- Fork/ bale spike/ spreader/ clamp compatible

## High-End

- Cummins | Dana | Kessler

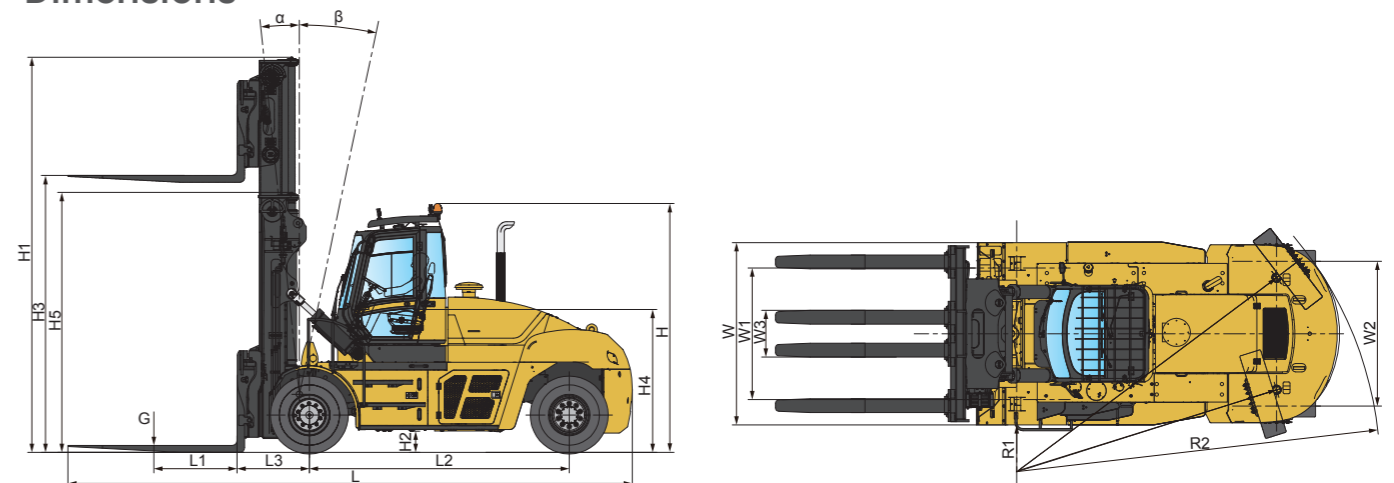
## Comfort

- Panoramic cab | Integrated controls | Suspension seat

## Product Parameters

Technical Parameter							
ITEM		UNIT	SCP160V2A	SCP160G5A	SCP160V4-S	SCP160V4A	
Configuration parameter	Engine	Type	-	CUMMINS QSB6.7	CUMMINS QSB6.7	CUMMINS QSB6.7	CUMMINS QSB6.7
		Rated power/speed	kW/rpm	164/2300	168/2200	168/2200	168/2200
		Max torque	Nm/rpm	949/1500	1044/1500	1044/1500	1044/1500
		Emission standard	-	Stage III	Stage V	Tier IV	Tier IV
	Transmission type	-	DANA TE17	DANA TE14	DANA TE17	DANA TE17	
	Drive axle type	-	SANY WF	KESSLER D81	KESSLER D81	KESSLER D81	
	Tire dimension	-	12.00-20 18PR	12.00-20 18PR	12.00-20 18PR	12.00-24 24PR	
Performance parameter	Rated load	t	16	16	16	16	
	Overall weight	kg	22700	23000	25000	23300	
	Lift speed (laden/unladen)	mm/s	400/450	400/450	400/450	400/450	
	Lowering speed (laden/unladen)	mm/s	450/430	450/430	450/430	450/430	
	Travel speed (laden/unladen)	km/h	25/27	26/28	25/27	25/27	
	Gradeability (laden)	%	33	39	33	33	
	Dimensions	Length×width×height (L×W×H)	mm	8065×2698×3477	8145×2724×3595	8163×3704×3943	8065×2724×3555
Load center (L1)		mm	1200	1200	1220	1220	
Wheel base (L2)		mm	3750	3750	3750	3750	
Overhang front (L3)		mm	963	963	1063	963	
Overhang rear (L4)		mm	911	911	910	910	
Ground clearance (H2)		mm	300	300	288	350	
Seat height above ground (H4)		mm	1870	2152	2225	2112	
Inner turning radius (R1)		mm	685	685	685	460	
Outer turning radius (R2)		mm	5200	5200	5200	5200	
Front track width (W1)		mm	1898	1898	1898	1898	
Rear track width (W2)		mm	2090	2090	2090	2030	
Mast		Mast height (retracted H5 /extended H1)	mm	3754/5704	3754/5704	3869/5819	3804/5754
	Lift height standard H3	mm	4000	4000	4000	4000	
	Mast tilt (forward/backwards)	deg	5/10	15/12	15/10	15/12	
Forks	Dimension (Length×width×height)	mm	2440×200×100	2440×200×100	2440×250×90	2440×200×100	
	Fork distance (Minimum~maximum W3)	mm	674~2274	674~2274	1721~3481	674~2274	

## Dimensions



# SCP250C2 SCP250G5 SCP250H4



## Safe

- Anti-tip system | Auto fire suppression

## Reliable

- Tier-1 components | Redundant cooling

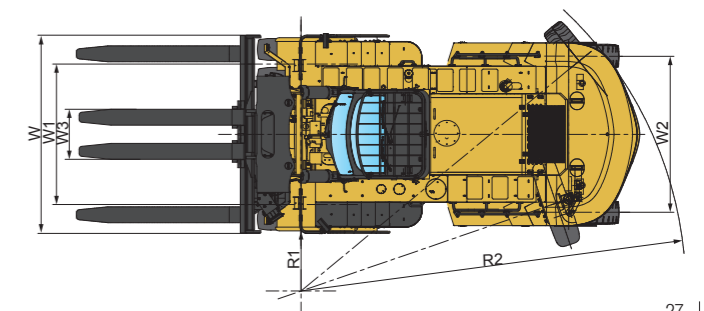
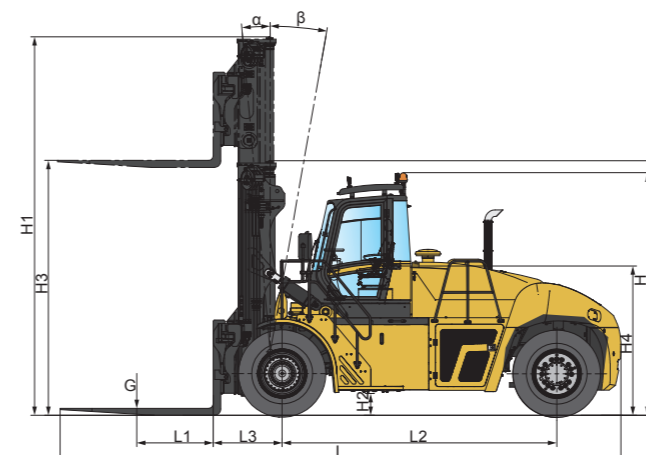
## Productive

- Quick-release counterweight | Fast-attach implements

## Product Parameters

Technical Parameter						
ITEM		UNIT	SCP250C2	SCP250G5	SCP250H4	
Configuration parameter	Engine	Type	-	CUMMINS QSB6.7	VOLVO TAD881VE	CUMMINS QSB6.7
		Rated power/speed	kW/rpm	164/2300	185/2200	168/2200
		Max torque	Nm/rpm	949/1500	1175/1400	1044/1500
		Emission standard	-	Stage III	Stage V	Tier IV
	Transmission type	-	DANA TE17	DANA TE14	DANA TE17	
	Drive axle type	-	SANY WF	KESSLER D91	KESSLER D91	
	Tire dimension	-	14.00-24 32PR	14.00-24 32PR	14.00-24 32PR	
Performance parameter	Rated load	t	25	25	25	
	Overall weight	kg	35000	33700	35500	
	Lift speed (laden/unladen)	mm/s	250/300	350/400	250/300	
	Lowering speed (laden/unladen)	mm/s	400/400	500/500	400/400	
	Travel speed (laden/unladen)	km/h	26/30	24/26	26/30	
	Gradeability (laden)	%	29	33	29	
Dimensions	Length×width×height (L×W×H)	mm	8830×3100×3423	8790×3100×3804	8830×3100×3628	
	Load center (L1)	mm	1200	1200	1220	
	Wheel base (L2)	mm	4300	4300	4300	
	Overhang front (L3)	mm	1085	1085	1085	
	Overhang rear (L4)	mm	1005	1005	1005	
	Ground clearance (H2)	mm	330	350	320	
	Seat height above ground (H4)	mm	2040	2040	2040	
	Inner turning radius (R1)	mm	940	940	940	
	Outer turning radius (R2)	mm	6000	6000	6000	
	Front track width (W1)	mm	2204	2204	2204	
	Rear track width (W2)	mm	2450	2450	2450	
Mast	Mast height (retracted H5 /extended H1)	mm	3994/5939	3994/5939	3994/5939	
	Lift height standard H3	mm	4000	4000	4000	
	Mast tilt (forward/backwards)	deg	5/10	5/10	5/10	
Forks	Dimension (Length×width×height)	mm	2440×250×110	2440×250×110	2440×250×110	
	Fork distance (Minimum~maximum W3)	mm	786~2776	786~2776	786~2776	

## Dimensions



# SCP300C1A SCP300C2 SCP300G5 SCP300H4



## Safe

- Anti-tip system | Auto fire suppression

## Reliable

- Tier-1 components | Redundant cooling

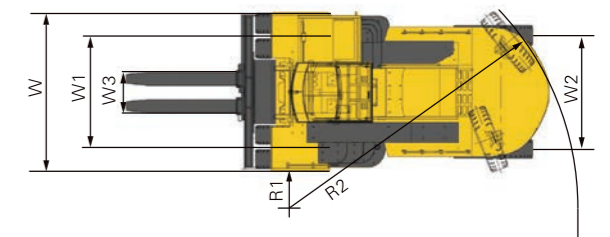
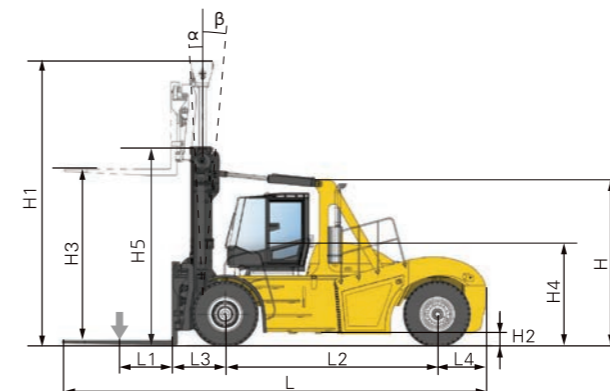
## Productive

- Quick-release counterweight | Fast-attach implements

## ► Product Parameters

Technical Parameter							
ITEM		UNIT	SCP300C1A	SCP300C2	SCP300G5	SCP300H4	
Configuration parameter	Engine	Type	-	VOLVO TAD851VE	CUMMINS QSC 8.3	VOLVO TAD881VE	CUMMINS QSB6.7
		Rated power/speed	kW/rpm	185/2200	209/2200	185/2200	194/2200
		Max torque	Nm/rpm	1160/1350	1356/1500	1175/1400	990/1500
		Emission standard	-	Stage III	Stage III	Stage V	Tier IV
	Transmission type	-	DANA TE17	DANA TE17	DANA TE17	DANA TE17	
	Drive axle type	-	SANY WF	SANY WF	KESSLER D91	KESSLER D91	
	Tire dimension	-	16.00-25 32PR	16.00-25 32PR	16.00-25 32PR	16.00-25 32PR	
Performance parameter	Rated load	t	30	30	30	30	
	Overall weight	kg	42200	42200	41700	42200	
	Lift speed (laden/unladen)	mm/s	250/300	250/300	320/350	250/300	
	Lowering speed (laden/unladen)	mm/s	400/400	400/400	400/400	400/400	
	Travel speed (laden/unladen)	km/h	25/28	25/28	25/28	25/28	
	Gradeability (laden)	%	25	25	25	25	
	Dimensions	Length×width×height (L×W×H)	mm	9265×3580×3917	9265×3580×3917	9265×3580×3917	9265×3580×3917
Load center (L1)		mm	1200	1200	1200	1220	
Wheel base (L2)		mm	4500	4500	4500	4500	
Overhang front (L3)		mm	1220	1220	1220	1220	
Overhang rear (L4)		mm	1105	1105	1105	1105	
Ground clearance (H2)		mm	300	300	300	300	
Seat height above ground (H4)		mm	2195	2195	2195	2195	
Inner turning radius (R1)		mm	780	780	780	780	
Outer turning radius (R2)		mm	6300	6300	6300	6300	
Front track width (W1)		mm	2472	2472	2472	2472	
Rear track width (W2)		mm	2450	2450	2450	2450	
Mast		Mast height (retracted H5 /extended H1)	mm	4360/6305	4360/6305	4360/6305	4360/6305
	Lift height standard H3	mm	4000	4000	4000	4000	
	Mast tilt (forward/backwards)	deg	5/10	5/10	5/10	5/10	
Forks	Dimension (Length×width×height)	mm	2440×300×110	2440×300×110	2400×300×110	2400×300×110	
	Fork distance (Minimum~maximum W3)	mm	918~2848	920~2850	918~2848	918~2848	

## ► Dimensions



# SCP320C2 SCP320G5 SCP320H4



Rated Power  
**185kW/2200rpm**

Overall Weight  
**42200kg**

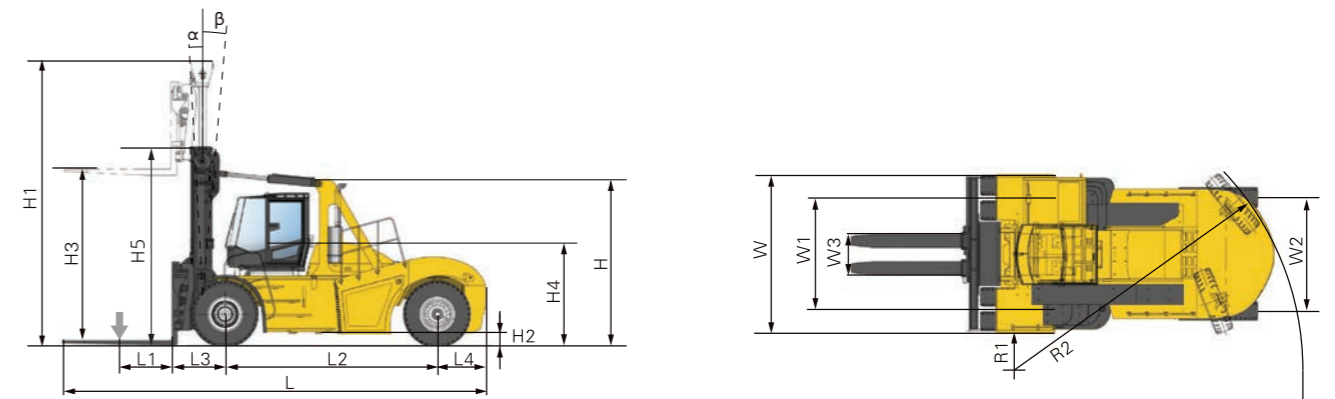
Rated Load Capacity  
**32t**

Lifting Height  
**4m**

## ► Product Parameters

Technical Parameter						
ITEM		UNIT	SCP320C2	SCP320G5	SCP320H4	
Configuration parameter	Engine	Type	-	CUMMINS QSC 8.3	VOLVO TAD881VE	CUMMINS QSB6.7
		Rated power/speed	kW/rpm	209/2200	185/2200	194/2200
		Max torque	Nm/rpm	1356/1500	1175/1400	990/1500
		Emission standard	-	Stage III	Stage V	Tier IV
	Transmission type	-	DANA TE17	DANA TE17	DANA TE17	
	Drive axle type	-	SANY WF	KESSLER D91	KESSLER D91	
	Tire dimension	-	16.00-25 32PR	16.00-25 32PR	16.00-25 32PR	
Performance parameter	Rated load	t	32	32	32	
	Overall weight	kg	43400	42500	43400	
	Lift speed (laden/unladen)	mm/s	250/300	320/350	250/300	
	Lowering speed (laden/unladen)	mm/s	400/400	400/400	400/400	
	Travel speed (laden/unladen)	km/h	25/28	25/28	25/28	
	Gradeability (laden)	%	25	25	25	
Dimensions	Length×width×height (L×W×H)	mm	9575×3580×3917	9265×3580×3917	9575×3580×3917	
	Load center (L1)	mm	1200	1200	1220	
	Wheel base (L2)	mm	4800	4500	4800	
	Overhang front (L3)	mm	1230	1220	1230	
	Overhang rear (L4)	mm	1105	1105	1105	
	Ground clearance (H2)	mm	300	300	300	
	Seat height above ground (H4)	mm	2195	2195	2195	
	Inner turning radius (R1)	mm	930	780	930	
	Outer turning radius (R2)	mm	6650	6300	6650	
	Front track width (W1)	mm	2472	2472	2472	
	Rear track width (W2)	mm	2450	2450	2450	
	Mast	Mast height (retracted H5 /extended H1)	mm	4360/6305	4360/6305	4360/6305
	Lift height standard H3	mm	4000	4000	4000	
	Mast tilt (forward/backwards)	deg	5/10	5/10	5/10	
Forks	Dimension (Length×width×height)	mm	2440×300×125	2440×300×125	2440×300×125	
	Fork distance (Minimum~maximum W3)	mm	920~2850	918~2848	918~2848	

## ► Dimensions



# SCP350C1A SCP350C2 SCP350G5



Rated Power

185kW/2200rpm

Overall Weight

43700kg

Rated Load Capacity

35t

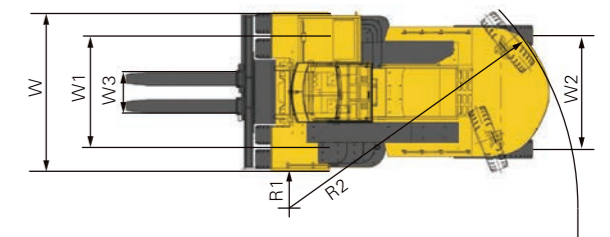
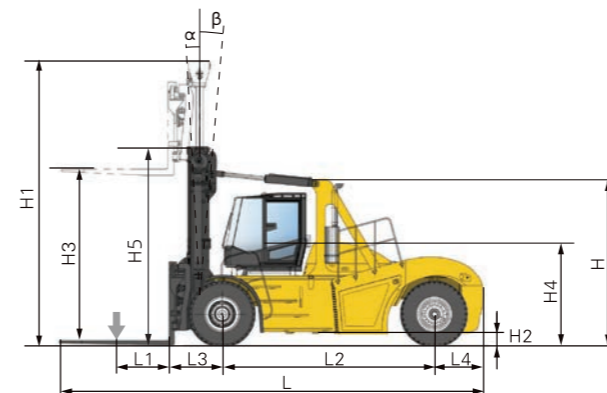
Lifting Height

4m

## Product Parameters

Technical Parameter						
ITEM		UNIT	SCP350C1A	SCP350C2	SCP350G5	
Configuration parameter	Engine	Type	-	VOLVO TAD851VE	CUMMINS QSC 8.3	VOLVO TAD881VE
		Rated power/speed	kW/rpm	185/2200	209/2200	185/2200
		Max torque	Nm/rpm	1160/1350	1356/1500	1175/1400
		Emission standard	-	Stage III	Stage III	Stage V
	Transmission type	-	DANA TE17	DANA TE17	DANA TE17	
	Drive axle type	-	SANY WF	SANY WF	KESSLER D91	
	Tire dimension	-	16.00-25 32PR	16.00-25 32PR	16.00-25 32PR	
Performance parameter	Rated load	t	35	35	35	
	Overall weight	kg	44400	44400	43700	
	Lift speed (laden/unladen)	mm/s	250/300	250/300	300/350	
	Lowering speed (laden/unladen)	mm/s	400/400	400/400	400/400	
	Travel speed (laden/unladen)	km/h	25/28	25/28	25/28	
	Gradeability (laden)	%	25	25	25	
Dimensions	Length×width×height (L×W×H)	mm	9575×3580×3917	9575×3580×3917	9575×3580×3917	
	Load center (L1)	mm	1200	1200	1200	
	Wheel base (L2)	mm	4800	4800	4800	
	Overhang front (L3)	mm	1230	1230	1230	
	Overhang rear (L4)	mm	1105	1105	1105	
	Ground clearance (H2)	mm	300	300	300	
	Seat height above ground (H4)	mm	2195	2195	2195	
	Inner turning radius (R1)	mm	930	930	930	
	Outer turning radius (R2)	mm	6650	6650	6650	
	Front track width (W1)	mm	2472	2472	2472	
	Rear track width (W2)	mm	2450	2450	2450	
	Mast	Mast height (retracted H5 /extended H1)	mm	4360/6305	4360/6305	4360/6305
	Lift height standard H3	mm	4000	4000	4000	
	Mast tilt (forward/backwards)	deg	5/10	5/10	5/10	
Forks	Dimension (Length×width×height)	mm	2440×300×125	2440×300×125	2440×300×125	
	Fork distance (Minimum~maximum W3)	mm	918~2848	920~2850	918~2848	

## Dimensions



# SCP460C1 SCP460C2 SCP460H4



Rated Power  
**265kW/2100rpm**

Overall Weight  
**58000kg**

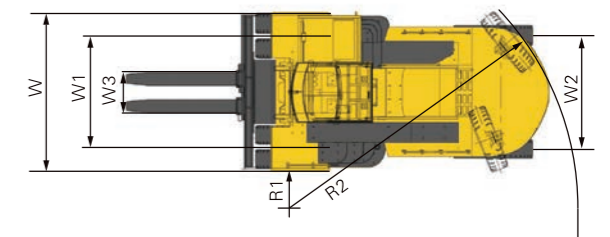
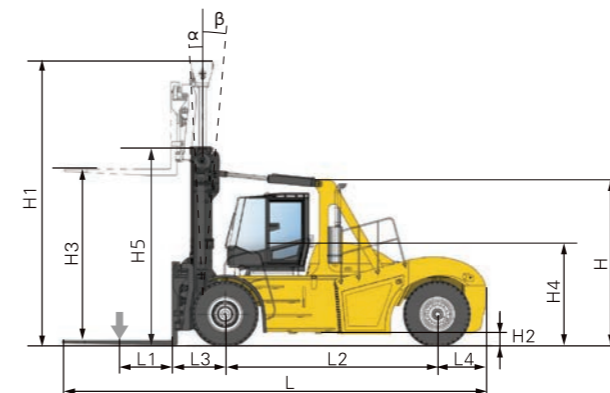
Rated Load Capacity  
**46t**

Lifting Height  
**4m**

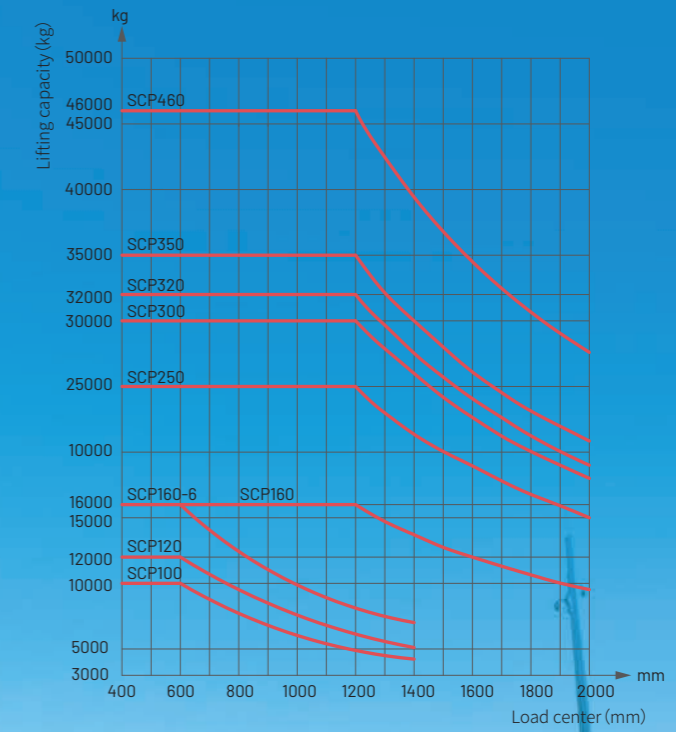
## ► Product Parameters

Technical Parameter						
ITEM		UNIT	SCP460C1	SCP460C2	SCP460H4	
Configuration parameter	Engine	Type	-	VOLVO TAD1151VE	CUMMINS QSM11	CUMMINS QSL9
		Rated power/speed	kW/rpm	265/2100	250/2100	248/2100
		Max torque	Nm/rpm	1780/1260	1674/1400	1424/1500
		Emission standard	-	Stage III	Stage III	Tier IV
	Transmission type	-	DANA 15.5HR36000	DANA 15.5HR36000	DANA 15.5HR36000	
	Drive axle type	-	SANY WF	SANY WF	Kessler D102	
Performance parameter	Tire dimension	-	18.00-25 40PR	18.00-25 40PR	18.00-25 40PR	
	Rated load	t	46	46	46	
	Overall weight	kg	58000	58000	58000	
	Lift speed (laden/unladen)	mm/s	250/300	250/300	250/300	
	Lowering speed (laden/unladen)	mm/s	400/400	400/400	400/400	
	Travel speed (laden/unladen)	km/h	23/25	23/25	23/25	
	Gradeability (laden)	%	30	30	30	
	Dimensions	Length×width×height (L×W×H)	mm	10405×4300×4005	10405×4300×4005	10405×4300×4005
Load center (L1)		mm	1200	1200	1200	
Wheel base (L2)		mm	5500	5500	5500	
Overhang front (L3)		mm	1405	1405	1405	
Overhang rear (L4)		mm	1100	1100	1100	
Ground clearance (H2)		mm	430	430	430	
Seat height above ground (H4)		mm	2360	2360	2360	
Inner turning radius (R1)		mm	1110	1110	1110	
Outer turning radius (R2)		mm	7600	7600	7600	
Front track width (W1)		mm	3033	3033	3033	
Rear track width (W2)		mm	2740	2740	2740	
Mast		Mast height (retracted H5 /extended H1)	mm	4500/6430	4500/6430	4500/6430
	Lift height standard H3	mm	4000	4000	4000	
	Mast tilt (forward/backwards)	deg	5/10	5/10	5/10	
Forks	Dimension (Length×width×height)	mm	2400×300×140	2400×300×140	2400×300×140	
	Fork distance (Minimum~maximum W3)	mm	1550~3150	1550~3150	1550~3150	

## ► Dimensions



► Load diagram



## ▶ OPERATOR CAB

### Next-Gen Cab Design:

Climate control and ergonomic intelligent controls for superior comfort

### Enhanced Comfort

Vibration reduced to  $< 0.5 \text{ m/s}^2$   
(50% lower)

### Smart Control Hub

▪ 360° monitoring, multimedia, radio, and operator profiles.



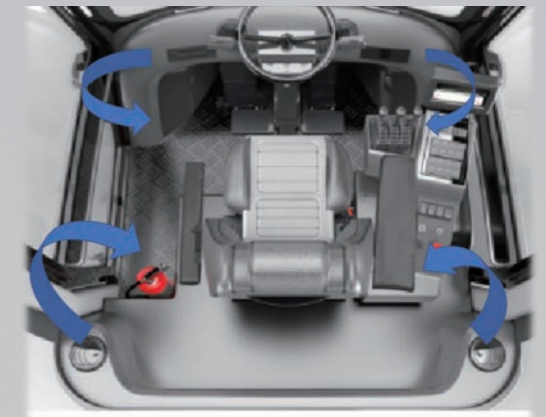
### Ergonomic Controls

▪ Adjustable console with multi-function keys and armrests.



### All-Weather Ready

▪ Climate system with 360° airflow, anti-fog, and defrost.





### Smooth Operation


▪ Shock-absorbing cab, suspended seat, and adjustable steering.



## ► Mast Options

			16t heavy-duty			
Mast	Max. Lift height standard	Mast tilt angle	Mast type	Mast height		Free lift height
				Min. Height	Max. Height	
<b>► Standard Mast</b>  <p>Meet the requirements of ordinary working conditions, with the mast buffer limit protection technology, mast chain monitoring and protection technology.</p>	3000	5° /10°	-	-	-	-
	3500	5° /10°	MCPMS1635	3504	5204	-
	4000	5° /10°	MCPMS1640	3704	5704	-
	4500	5° /10°	MCPMS1645	4004	6204	-
	5000	5° /10°	MCPMS1650	4254	6704	-
	5500	5° /10°	MCPMS1655	4504	7204	-
	6000	5° /10°	MCPMS1660	4754	7704	-
	6500	5° /10°	MCPMS1665	5004	8204	-
	7000	5° /10°	MCPMS1670	5254	8704	-
<b>► Two Stage Lift Free Mast</b>  <p>It is suitable for operation in narrow situations such as cabin and free lifting distance of more than 2000mm.</p>	3000	5° /10°	-	-	-	-
	3500	5° /10°	MCPMD1635	3510	5210	1800
	4000	5° /10°	MCPMD1640	3760	5710	2050
	4500	5° /10°	MCPMD1645	4010	6210	2300
	5000	5° /10°	MCPMD1650	4260	6710	2550
	5500	5° /10°	MCPMD1655	4510	7210	2800
	6000	5° /10°	MCPMD1660	4760	7710	3050
	6500	5° /10°	MCPMD1665	5010	8210	3300
	7000	5° /10°	MCPMD1670	5260	8710	3550

25t heavy-duty				30~35t heavy-duty				46t heavy-duty			
Mast type	Mast height		Free lift height	Mast type	Mast height		Free lift height	Mast type	Mast height		Free lift height
	Min. Height	Max. Height			Min. Height	Max. Height			Min. Height	Max. Height	
-	-	-	-	MCPMS3530	3860	5305	-	MCPMS4630	4000	5430	-
MCPMS2535	3710	5405	-	MCPMS3535	4110	5805	-	MCPMS4635	4250	5930	-
MCPMS2540	3960	5905	-	MCPMS3540	4360	6305	-	MCPMS4640	4500	6430	-
MCPMS2545	4210	6405	-	MCPMS3545	4610	6805	-	MCPMS4645	4750	6930	-
MCPMS2550	4460	6905	-	MCPMS3550	4860	7305	-	MCPMS4650	5000	7430	-
MCPMS2555	4710	7405	-	MCPMS3555	5110	7805	-	MCPMS4655	5250	7930	-
MCPMS2560	4960	7905	-	MCPMS3560	5360	8305	-	MCPMS4660	5500	8430	-
MCPMS2565	5210	8405	-	MCPMS3565	5610	8805	-	MCPMS4665	5750	8930	-
MCPMS2570	5460	8905	-	MCPMS3570	5860	9305	-	MCPMS4670	6000	9430	-
-	-	-	-	MCPMS3530	3860	5305	1550	MCPMS4630	4000	5430	1550
MCPMD2535	3710	5410	1800	MCPMD3535	4110	5805	1800	MCPMD4635	4250	5930	1800
MCPMD2540	3960	5910	2050	MCPMD3540	4280	6305	2050	MCPMD4640	4500	6430	2050
MCPMD2545	4210	6410	2300	MCPMD3545	4530	6805	2300	MCPMD4645	4750	6930	2300
MCPMD2550	4460	6910	2550	MCPMD3550	4780	7305	2550	MCPMD4650	5000	7430	2550
MCPMD2555	4710	7410	2800	MCPMD3555	5030	7805	2800	MCPMD4655	5250	7930	2800
MCPMD2560	4960	7910	3050	MCPMD3560	5280	8305	3050	MCPMD4660	5500	8430	3050
MCPMD2565	5210	8410	3300	MCPMD3565	5530	8805	3300	MCPMD4665	5750	8930	3300
MCPMD2570	5460	8910	3550	MCPMD3570	5780	9305	3550	MCPMD4670	6000	9430	3550

			10~12t heavy-duty			
Mast	Max. Lift height standard	Mast tilt angle	Mast type	Mast height		Free lift height
				Min. Height	Max. Height	
<b>► Standard Mast</b>  <p>Meet the requirements of ordinary working conditions, with the mast buffer limit protection technology, mast chain monitoring and protection technology.</p>	3000	6° /12°	MSA1030	3398	4868	-
	3500	6° /12°	MSA1035	3648	5368	-
	4000	6° /12°	MSA1040	3898	5858	-
	4500	6° /12°	MSA1045	4148	6368	-
	5000	6° /12°	MSA1050	4398	6868	-
	5500	6° /12°	MSA1055	4648	7368	-
	6000	6° /12°	MSA1060	4898	7868	-
	6500	6° /12°	MSA1065	5148	8368	-
	7000	6° /12°	MSA1070	5398	8868	-



## ► Add-On Options

Optional Function	Optional Instructions
Engine hour timer instrument	Engine operating timer instrument
Alarm system	Loudspeaker and alarm include
Rear counterweight warning light	One warning light added to the rear counterweight
Cab reading light	Cab reading light
12V power supply	12V power interface available (located inside the cab)
24V power supply	24V power interface available (inside cab)
3 m visual reversing radar system	3 m sensor probe visible astern radar
Steering horn	Add turning voice prompt function: turning left, turning right.
Radio	Includes radio, speaker and antenna
Air suspension seat	Provides a more comfortable ride and longer seat life
Traffic recorder	Record forklift operation and driver operation
Tire pressure monitoring	Tire pressure monitoring with warning when over pressure
Fork video monitoring system	Improve the front view of the fork
AUTOMATIC FIRE EXTINGUISHING	The pipe network type strong fire extinguishing device arranged in the interior of the frame body has an alarm function and can be started automatically or manually
Heating device for extremely cold areas	Mainly used in extremely cold regions. Recommended for north america, europe and other regions where the ambient temperature is lower than -15° c, and mandatory in areas where the ambient temperature is lower than -30° c

## ► Attachmentoptions



### Fork

▪ Rated Load	10t, 12t, 16t, 25t, 30t, 32t, 35t, 46t
▪ Suitable For	Large tonnage or bulk cargo
▪ Main Color	Black



### Coil Ram

▪ Rated Load	10t, 12t, 16t, 25t, 30t, 32t, 35t, 46t
▪ Suitable For	Steel coils and other roll-shaped items
▪ Main Color	Black



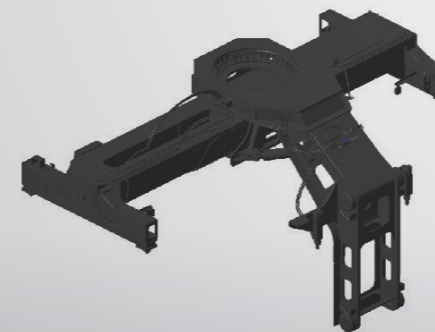
### Spreader For Empty Container

▪ Rated Load	9t
▪ Suitable For	Large tonnage or bulk cargo
▪ Main Color	Black



### Chassis Attachments

▪ Rated Load	4.5t
▪ Suitable For	Chassis
▪ Main Color	Black



### Railway Heavy-Duty Lifting Attachment

▪ Rated Load	38t
▪ Suitable For	Container
▪ Main Color	Black



### PC Precast Component Attachment

▪ Rated Load	16t
▪ Suitable For	PC Precast Component
▪ Main Color	Black

### Construction Cases



10t Electric Heavy-Duty Forklift



16t Heavy-Duty Forklift



16t Heavy-Duty Forklift



16t Heavy-Duty Forklift



10t Electric Heavy-Duty Forklift



16t Electric Heavy-Duty Forklift



25t Electric Heavy-Duty Forklift



25t Heavy-Duty Forklift

### ► Construction Cases



25t Heavy-Duty Forklift



30t Heavy-Duty Forklift



32t Heavy-Duty Forklift



35t Heavy-Duty Forklift



35t Heavy-Duty Forklift



46t Heavy-Duty Forklift

## SANY OVERSEAS SERVICE

# GO WITH SANY NO MORE WAITING

900+



Overseas service centers

3500+



Professional technical service engineers

365×24



Support

#### Service Center

Tel: +86 4006098318

Mail: CRD@sany.com.cn

WhatsApp: +86 19908478631 (Only WhatsApp)

## My SANY

On-demand professional equipment repair services available anytime, anywhere, ensuring rapid response and efficient solutions.

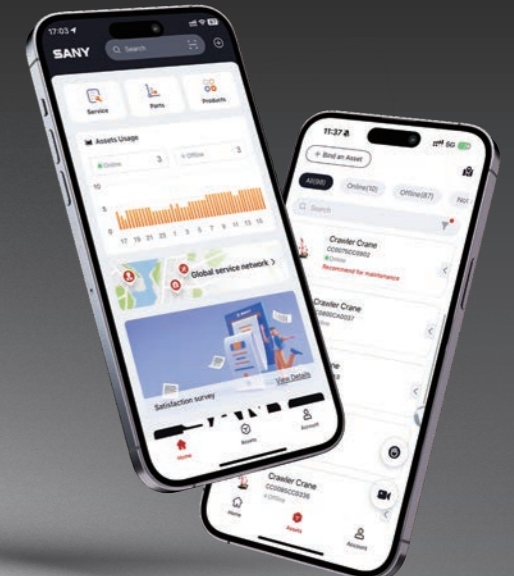


Download MySANY for a comprehensive, all-in-one experience!

DOWNLOAD ON THE App Store

GET IT ON Google Play

DOWNLOAD APK 6.0+



# SANY®

SANY Industrial Park, Zhuhai, Guangdong, China

Service: +86-4008-87-8318 <https://www.sanyglobal.com>

Considering the continuous progress and update of SANY Marine technology, the technical parameters and configuration of products are modified and adjusted at any time, so this brochure is for reference only.

The appearance, configuration and technical parameters of the specific model are subject to the actual model sold. Copyright at SANY. No part of this brochure may be copied or used for any purpose without written approval from SANY.

© Version 2026-01-01



## PT SOLUSI INDO PERDANA

BE PRODUCTIVE, BE SOLUTIVE FOR MATERIAL HANDLING

**Head Office :**  
Ruko Pesona Gintung Residence, Blok AA No. 06, Cempaka Putih, Ciputat Timur, Tangsel 15412

**Branch Office :**  
Jl. Sultan Hasanudin KM.41 No. 2 Blok E24, Tambun, Kec. Tambun Selatan, Kab. Bekasi – 17510

**Email :**  
[sales@alatberatsip.co.id](mailto:sales@alatberatsip.co.id)

**Hotline Service :**  
(021) 7433477 / 087720101020